

Repossi
macchine agricole

SPARE PARTS CATALOGUE

COMB RAKES

mod. **90/4mini**

mod. **90/4**

mod. **90/5**

Repossi Macchine agricole s.r.l.

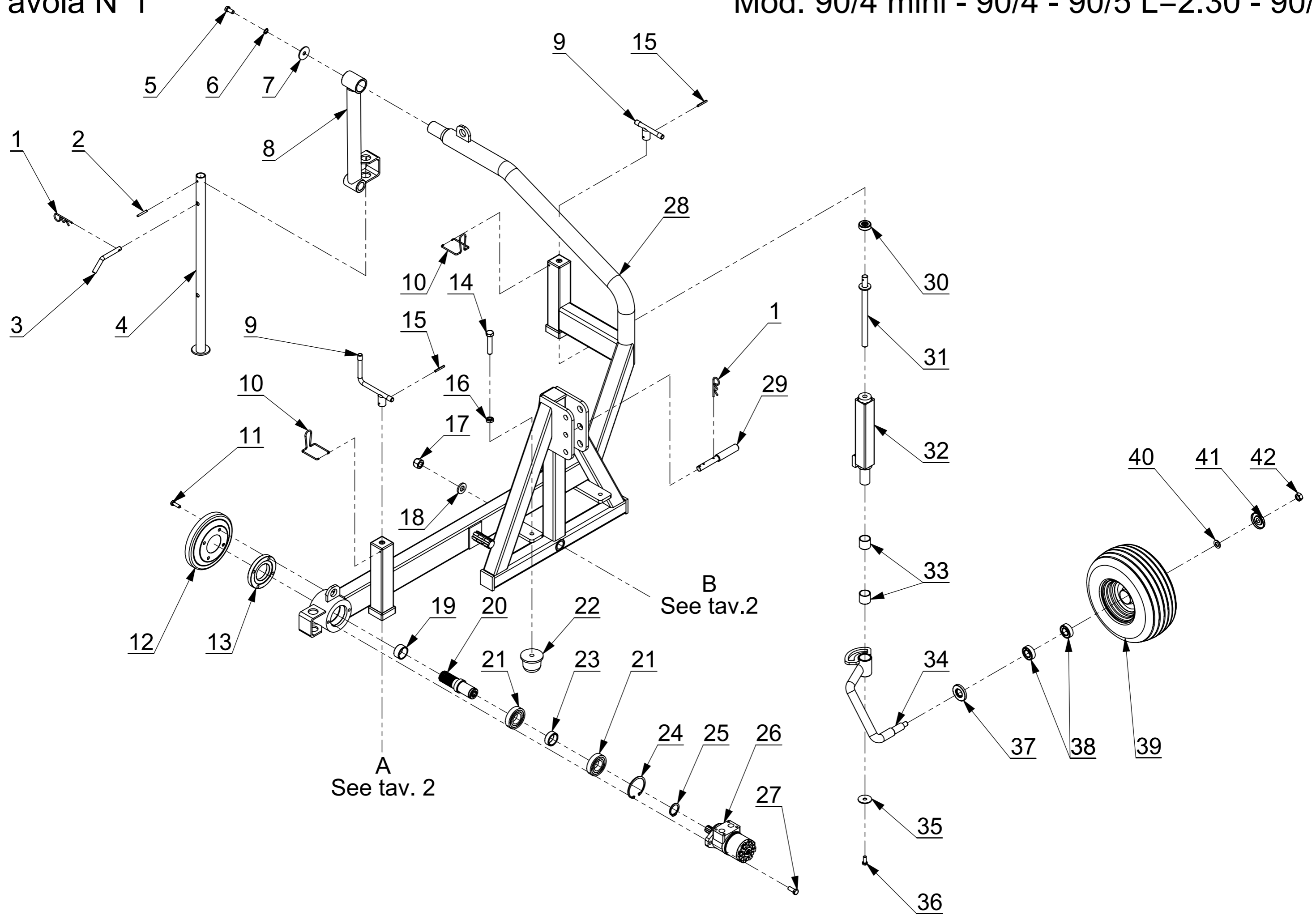
Via V. Emanuele II, 40 - 27022 Casorate Primo (PV) - Italia

Tel. **39 02 905 66 25 - Fax **39 02 905 13 08

e-mail: info@repossi.it - Web: www.repossi.it

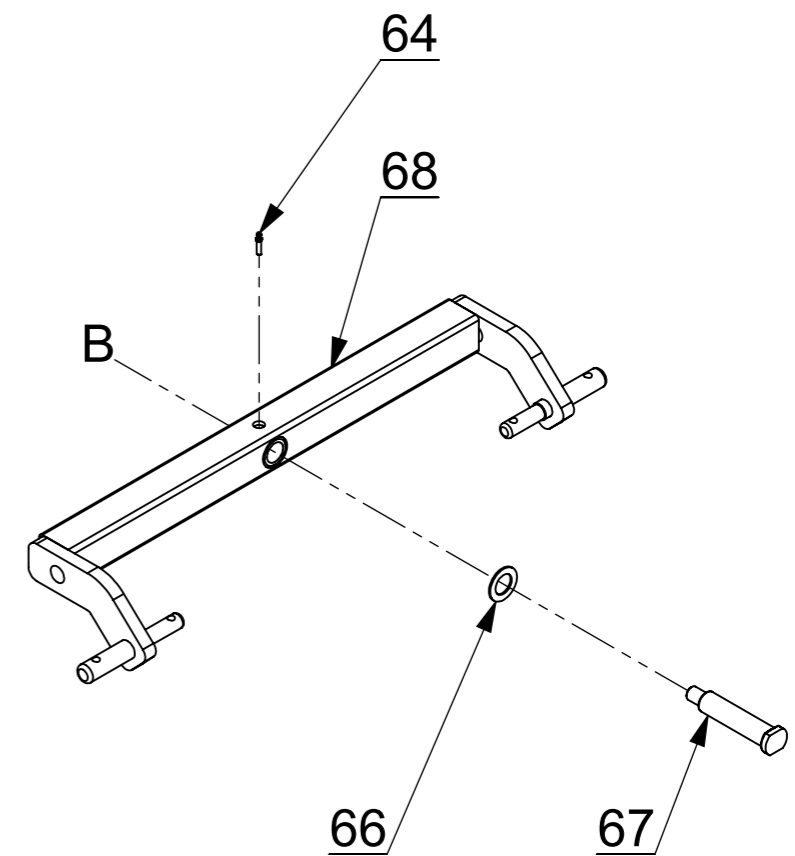
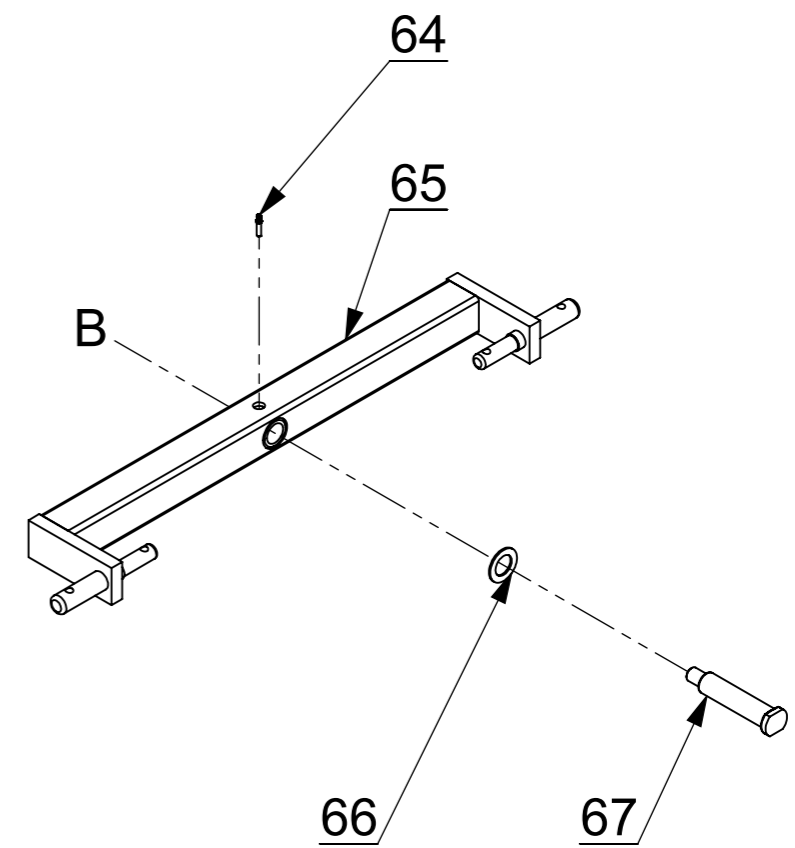
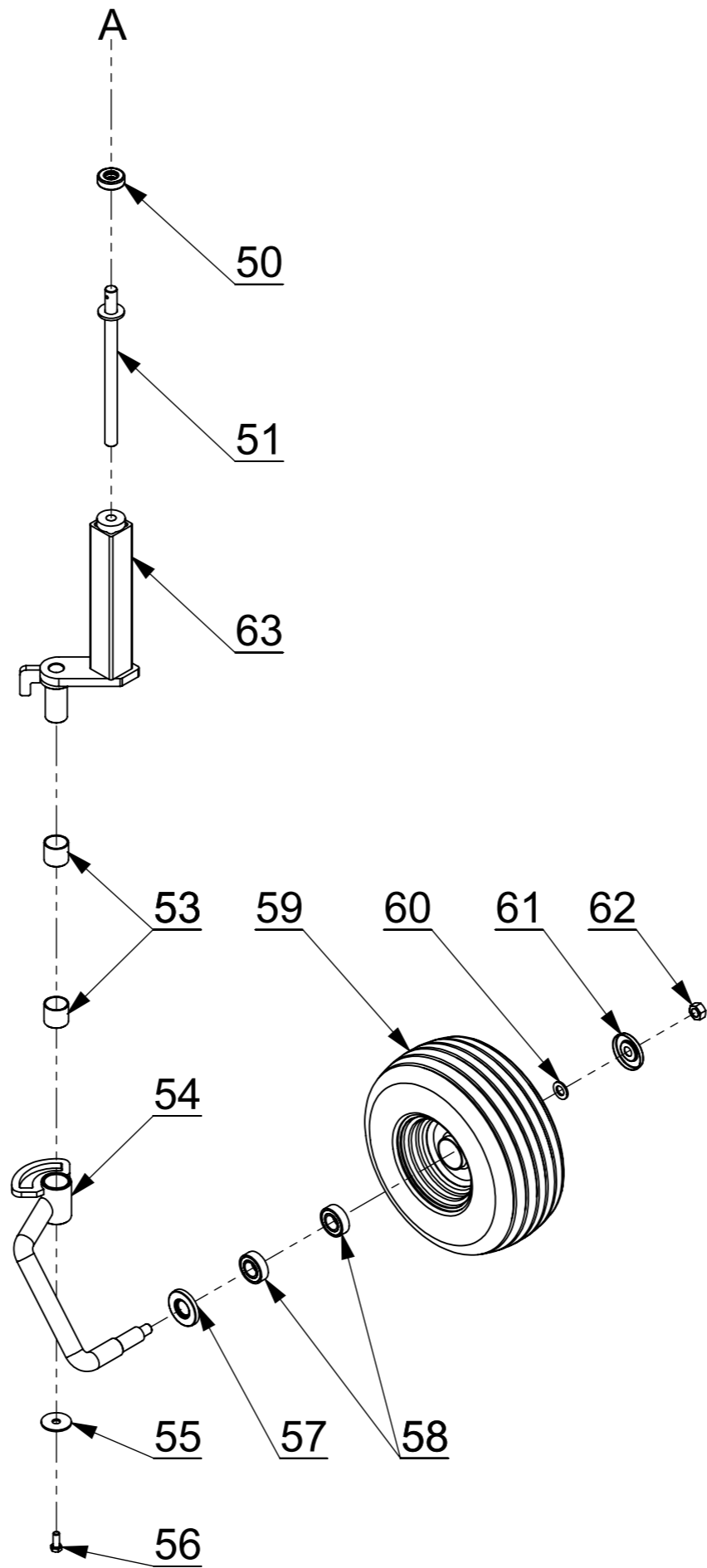
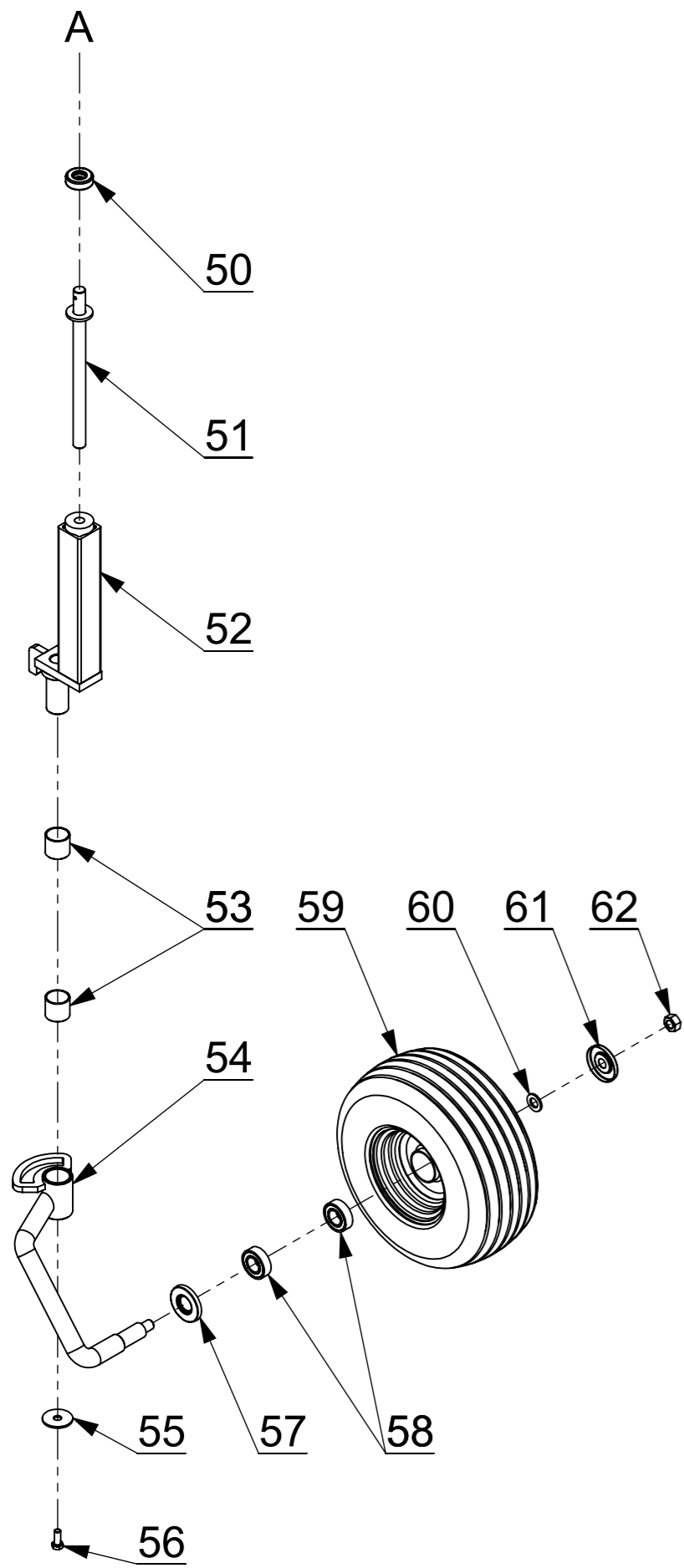
Tavola N°1

Mod. 90/4 mini - 90/4 - 90/5 L=2.30 - 90/5

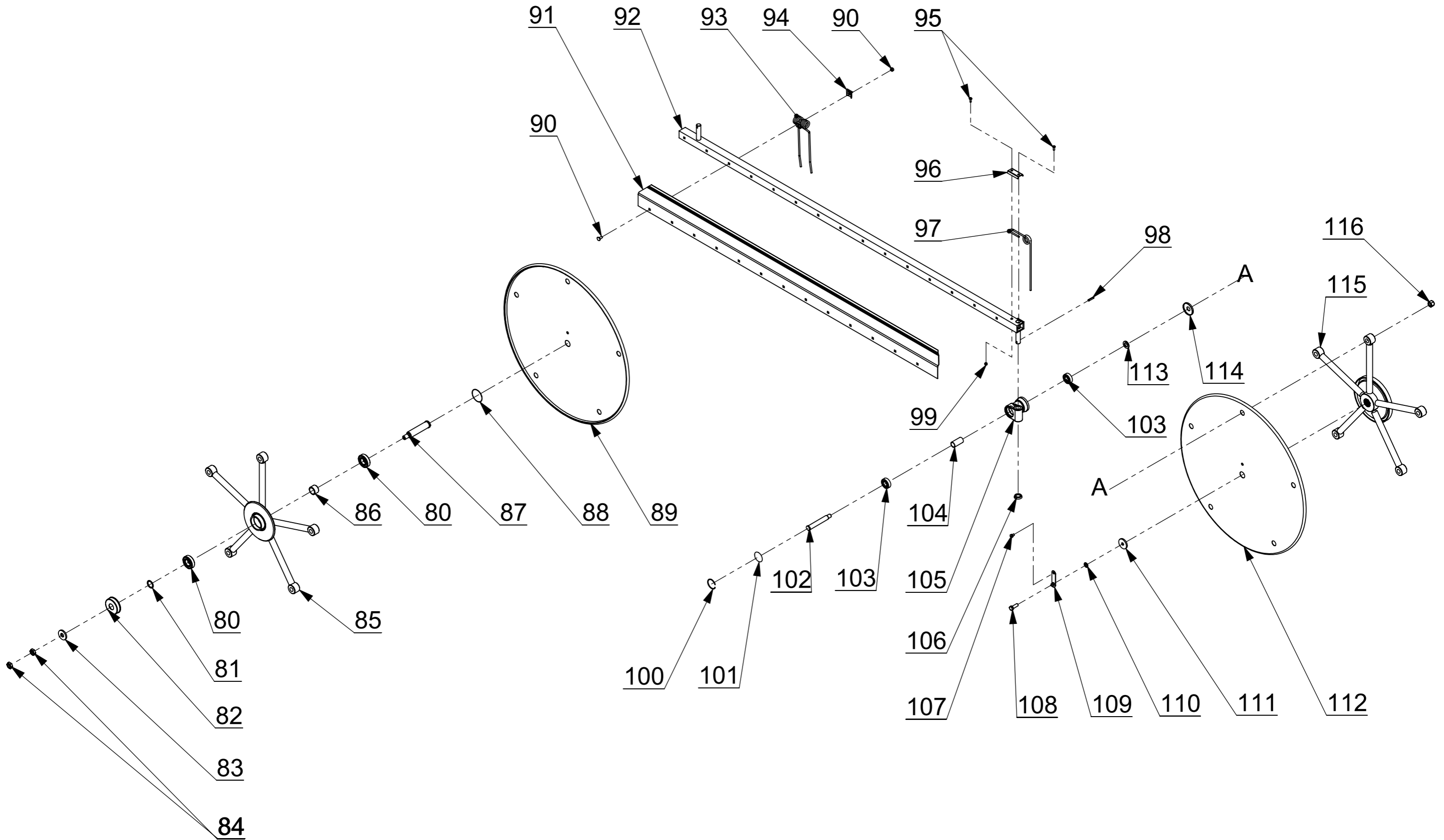


Pos.	Cod. pezzo	Descrizione
1	03.05.0004.00	B cotter ø4
2	03.11.0645.01	Elastic pin 6x45 zinc plated
3	09.00.1433.98	Foot locking handle
4	09.00.1432.98	Foot
5	07.07.1225.04	Hexagonal head screw 12x25 8.8 uni 5739
6	03.08.0012.02	Lock washer ø12 DIN 6798j
7	03.07.1350.00	Washer 13x50x3
8	09.00.3005.00	Straight arm with foot support
9	01.15.1149.01	Height adjustment handle
10	01.15.1149.02	Locking handle spring
11	07.07.1030.04	Hexagonal head screw 10x30 8.8 uni 5739
12	06.03.0052.04	Crosswise protection cap with 4 holes
13	02.01.1056.00	Aluminum flange
14	07.07.1680.01	Hexagonal head screw 16x80 8.8 uni 5737
15	03.11.0645.00	Elastic pin 6x45
16	07.01.0016.08	Nut M16 UNI 5589
17	07.02.0020.01	Self-locking nut M 20
18	03.07.2040.00	Washer 20x40x5
19	09.00.0482.00	External spacer 50x40x25
20	09.00.0481.01	Crosswise center shaft for oleodinamic engine
21	03.03.6208.00	Bearing 6208 - 40x80x18
22	03.10.8060.16	M16 bumper
23	09.00.0484.09	Internal spacer 50x40x18
24	03.09.0080.01	Snap ring 80i
25	03.09.0040.00	Snap ring 40e

26	04.01.0200.00	Hydraulic motor 200cc
26,1	04.01.0315.00	Hydraulic motor 315cc
26,2	04.01.0001.90	Hydraulic motor gasket kit (epm - omp)
27	07.07.1230.04	Hexagonal head screw 12x30 8.8 uni 5739
28	09.00.3100.03	Main frame for mod. 90/4 mini
28,1	09.00.3100.00	Main frame for mod. 90/4
28,2	09.00.3100.01	Main frame for mod. 90/5
29	09.00.1434.00	Three point pin
30	01.15.1149.04	Thrust bearing for foot
31	01.15.1149.03	Screw for the height adjustment of the swivel wheel
32	01.15.1149.06	Internal foot with limited rotation
33	03.15.3535.00	Sintered bush 35x39x35
34	09.00.3004.00	Swiveling wheels fork with limited rotation
35	03.07.1348.00	Washer 13x48x3
36	07.07.1025.04	Hexagonal head screw 10x25 8.8 uni 5739
37	01.06.0025.00	Internal cap
38	03.03.6205.00	Bearing 6205 - 25x52x15
39	01.06.1506.00	Complete wheel 15x6.00-6
39,1	01.06.1506.01	Tire 15x6.00-6
39,2	01.06.1506.02	Inner tube for wheel 15x6.00-6
40	01.06.1506.02	Inner tube for wheel 15x6.00-6
41	01.06.0016.00	External cap
42	07.02.0016.01	Self-locking nut M 16

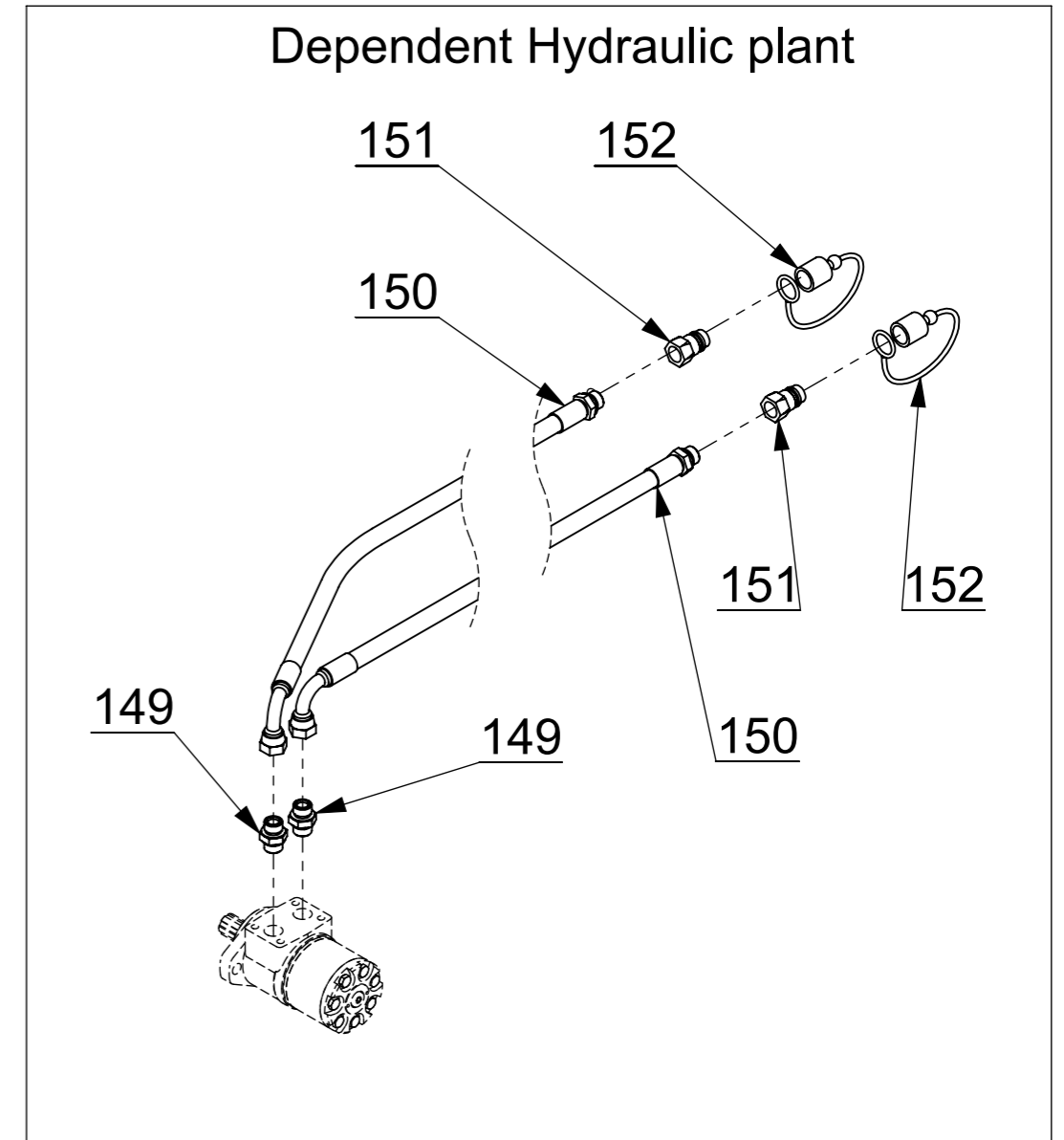
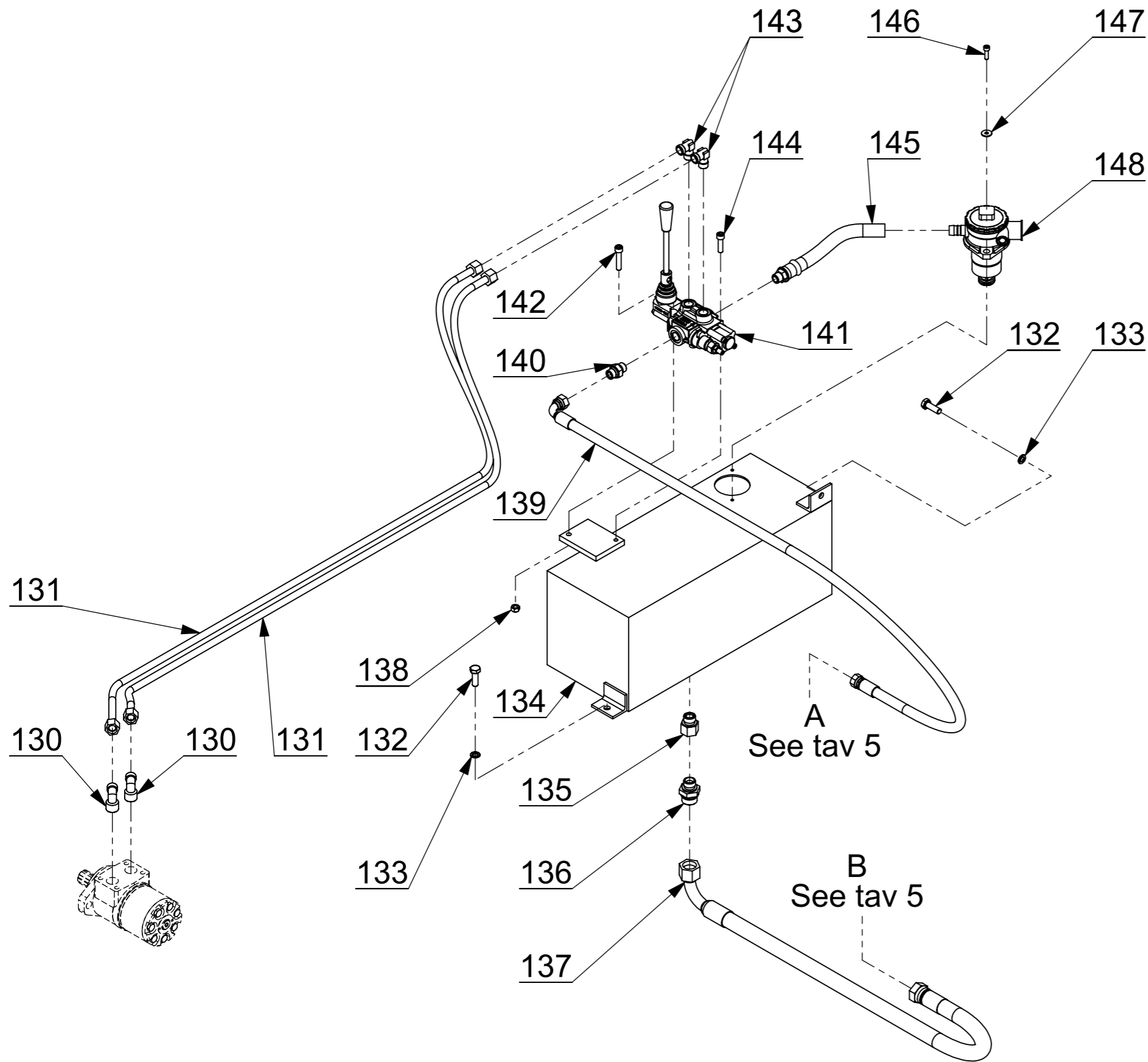


Pos.	Cod. pezzo	Descrizione
50	01.15.1149.04	Thrust bearing for foot
51	01.15.1149.03	Screw for the height adjustment of the swivel wheel
52	09.04.1149.02	Internal foot with limited rotation and pin moved forward
53	03.15.3535.00	Sintered bush 35x39x35
54	09.00.3004.00	Swiveling wheels fork with limited rotation
55	03.07.1348.00	Washer 13x48x3
56	07.07.1025.04	Hexagonal head screw 10x25 8.8 uni 5739
57	01.06.0025.00	Internal cap
58	03.03.6205.00	Bearing 6205 - 25x52x15
59	01.06.1506.00	Complete wheel 15x6.00-6
59,1	01.06.1506.01	Tire 15x6.00-6
59,2	01.06.1506.02	Inner tube for wheel 15x6.00-6
60	03.06.1730.00	Washer 17x30x3
61	01.06.0016.00	External cap
62	07.02.0016.01	Self-locking nut M 16
63	09.04.1149.07	Internal left foot with limited rotation and pin moved on side
64	03.13.0006.01	Greaser
65	09.00.3001.05	Floating coupling cat. 1 and 2
66	03.07.3050.02	Washer 30,5x50x2,5
67	09.00.3002.00	Central pin for the horizontal part of the three point linkage
68	09.00.3001.06	Floating coupling cat. 1 and 2 with lowered backward pins



Pos.	Cod. pezzo	Descrizione
80	03.03.6206.00	Bearing 6206 - 30x62x16
81	09.00.0097.00	Crosswise rear spacer
82	06.02.0098.00	Rear crosswise cap
83	03.07.1948.00	Washer 19x48x6
84	07.01.0018.08	Nut M18 UNI 5589
85,1	09.00.0095.04	Driven crosswise 4 reels
85,2	09.00.0095.05	Driven crosswise 5 reels
86	09.00.0094.00	Crosswise internal spacer
87	09.00.1192.00	Driven crosswise center pin
88	06.02.0091.00	Crosswise crowned cap
89,1	09.00.0055.40	4 holes plate with domed centre
89,2	09.00.0055.50	5 holes plate with domed centre
90	07.06.0823.00	Round head square neck bolt 8x23 8.8 with Self-locking nut
91,1	11.012.0121.41	10 springs reel plate
91,2	11.012.0121.04	13 springs right reel plate
91,3	11.012.0121.05	15 springs right reel plate
92,1	09.00.0120.00	Angle reel bar mini (10 springs)
92,2	09.00.0120.40	Right angle reel bar (13 springs)
92,3	09.00.0120.50	Right angle reel bar (15 springs)
92,4	09.00.0120.01	Complete mini reel (10 springs)
92,5	09.00.0120.42	Complete right reel (13 springs)
92,6	09.00.0120.52	Complete right reel (15 springs)
93	03.05.0122.00	Double spring for left side windrow
94	06.02.0123.00	Spring locking plate
95	07.07.0616.05	Hexagonal head screw 6x16 8.8 uni 5739 zinc plated

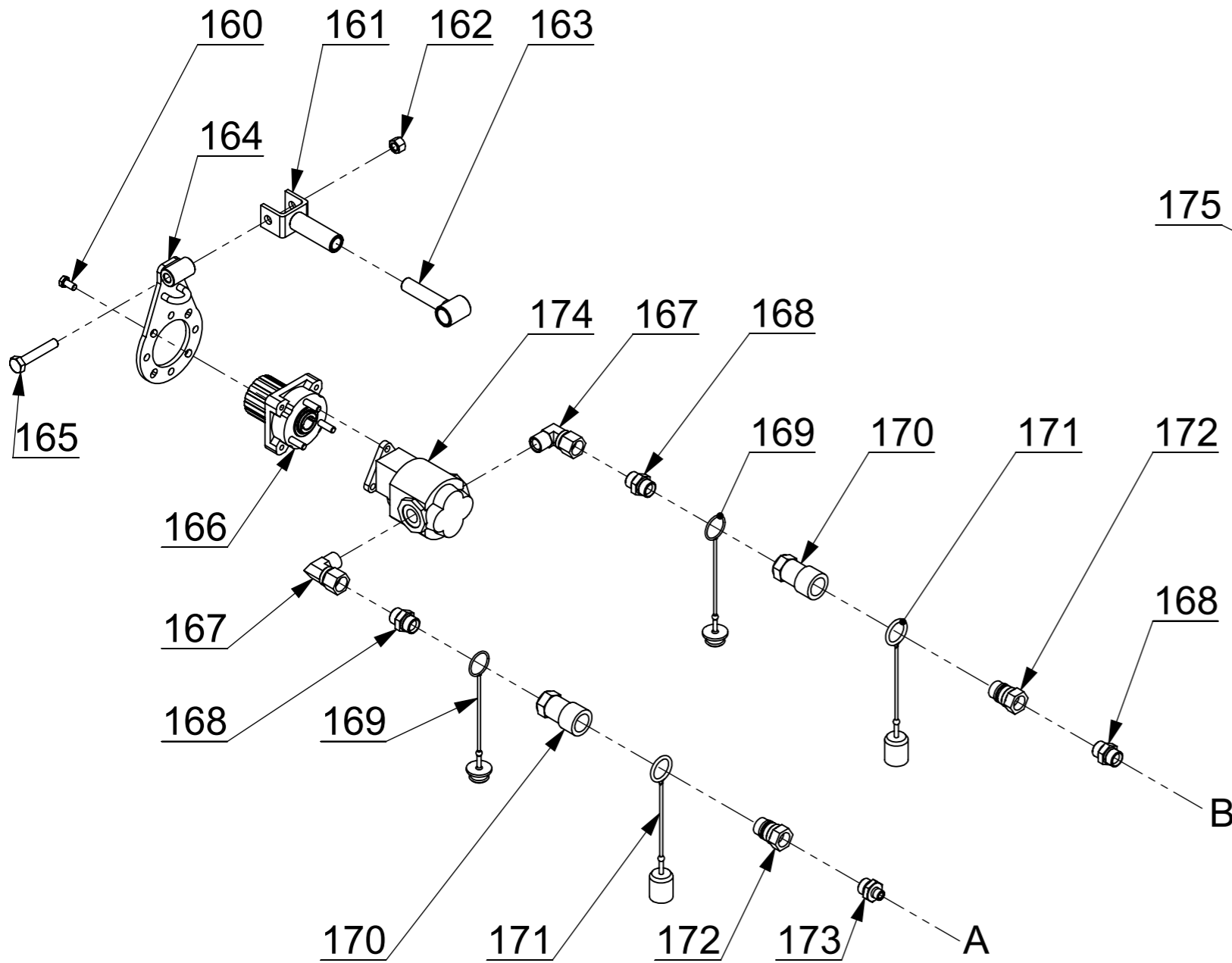
96	03.05.1191.01	Frontal spring locking plaque
97	03.05.1191.00	Frontal right spring for side delivery rake
98	03.11.0732.01	Elastic pin 7x32 zinc plated
99	07.02.0006.01	Self-locking nut M 6
100	03.09.0053.00	Snap ring WA-SB 53
101	06.02.0085.00	Reel support crowned cap
102	09.00.0084.00	Reel support pin
103	03.03.6204.02	Bearing 6204/2RS - 20x47x14
104	09.00.0082.00	Reel support spacer
105	01.14.0078.00	Reel support
105,1	09.00.0078.00	Complete reel support
106	06.02.0125.00	Zinc plater lock washer
107	07.07.0810.04	Hexagonal head screw 8x10 8.8 uni 5739
108	07.07.1240.05	Hexagonal head screw 12x40 8.8 uni 5739 zinc plated
109	06.02.0070.00	Crosswise lock plate
110	03.08.0012.03	Lock washer ø12 DIN 6798j zinc plated
111	03.07.1356.00	Washer 13x56x8
112,1	09.00.0055.04	4 holes plate
112,2	09.00.0055.05	5 holes plate
113	03.07.2035.00	Washer 20,5x35x4
114	01.14.0075.00	Rear reel support cap
115,1	09.00.0054.04	Driving crosswise 4 reels oleodinamic
115,2	09.00.0054.05	Driving crosswise 5 reels oleodinamic
116	07.02.0016.01	Self-locking nut M 16



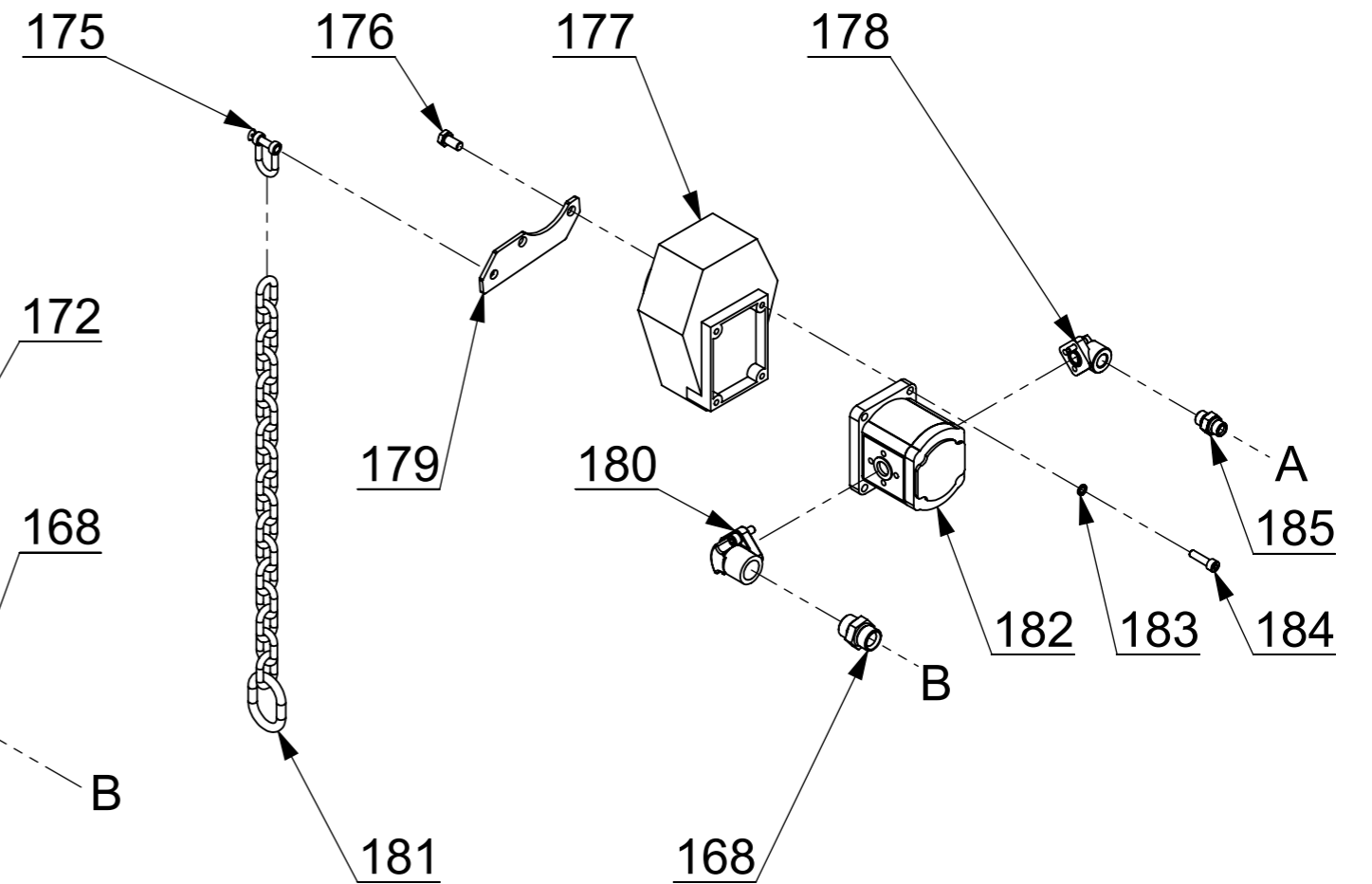
Pos.	Cod. pezzo	Descrizione
130	04.14.1294.12	Pipe fitting DIN TN 94-12 LR 1/2"
131,1	09.00.3112.00	Iron pipe
131,2	09.00.3110.00	Iron pipe
132	07.07.1030.04	Hexagonal head screw 10x30 8.8 uni 5739
133	03.08.0010.01	Grower washer ø10 DIN 7980 zinc plated
134	09.00.0450.90	20 Lt. tank
135	04.13.0012.04	Extension M + F 1/2"
136	04.13.3412.02	Nipple 3/4" - 1/2"
137	04.21.0900.00	Rubber pipe
138	07.02.0008.01	Self-locking nut M 8
139	04.18.1150.00	Rubber pipe
140	04.13.0038.01	Nipple 3/8" - 3/8"
141	04.03.0004.00	Oleodinamic engine distributor (with lever)
141,1	04.03.0040.01	Complete distributor lever
141,2	04.03.0041.01	Distributor lever
141,3	04.03.0103.02	Spool type 3 (double acting A and B connected to the tank in central position)
141,4	04.03.0204.03	Spool control type D (detent in 0,1,2)
142	07.03.0840.02	Socket head screw 8x40 UNI 5931 zinc plated
143	04.14.0094.12	Pipe fitting DIN TN 94 - 12 LR
144	07.03.0830.02	Socket head screw 8x30 UNI 5931 zinc plated
145	04.20.0250.00	Rubber pipe
146	07.03.0620.02	Socket head screw 6x20 UNI 5931 zinc plated
147	03.06.0618.01	Washer ø 6 UNI 6593 (6,2x18x1,6) zinc plated
148	04.08.5060.00	Oil filter
148,1	04.08.5060.01	O-ring for filter 50/60

149	04.13.0012.01	Nipple 1/2" - 1/2"
150	04.19.2000.00	Rubber pipe
151	04.15.0012.01	Quick-release coupling male 1/2"
152	04.15.0012.03	Cover for quick-release coupling male 1/2"

Plant with cast iron pump



Plant with aluminium pump



Pos.	Cod. pezzo	Descrizione
160	07.07.1020.05	Hexagonal head screw 10x20 8.8 uni 5739 zinc plated
161	09.00.1720.01	Pump locking bracket
162	07.02.0014.01	Self-locking nut M 14
163	09.00.1720.02	Pump locking pin
164	09.00.1720.04	Pump attachment support
165	07.07.1480.02	Hexagonal head screw 14x80 8.8 uni 5737 zinc plated
166	04.02.0002.90	Fast coupling SER2 for cast iron pump
167	04.13.0034.10	Union elbow Male - Female 3/4"
168	04.13.0034.01	Nipple 3/4" - 3/4"
169	04.15.0034.05	Cover for quick-release coupling female 3/4"
170	04.15.0034.02	Quick-release coupling female 3/4"
171	04.15.0034.03	Cover for quick-release coupling male 3/4"
172	04.15.0034.01	Quick-release coupling male 3/4"
173	04.13.3438.02	Nipple 3/4" - 3/8"
174	04.02.0025.01	Cast iron reversible 25 lt. Pump
174,1	04.02.0060.01	Cast iron reversible 60 lt. Pump
175	03.12.0002.00	Chain wing nut
176	07.07.1020.04	Hexagonal head screw 10x20 8.8 uni 5739
177	04.10.0103.00	Gearbox 1:3 for gr.2 pump
177,1	04.10.0001.00	Gearbox quick coupling kit
178	04.06.3440.03	Steel Fitting 3/4" with 3 hole spacing ϕ 40
179	11.050.1720.00	Gear box locking flat bar
180	04.06.3830.03	Steel Fitting 3/8" with 3 hole spacing ϕ 30
181	03.12.0001.00	Pump fixing chain
182	04.02.0014.02	Clockwise oleodinamic pump 14 cc

183	03.08.0008.01	Grower washer ϕ 8 DIN 7980 zinc plated
184	07.03.0830.02	Socket head screw 8x30 UNI 5931 zinc plated
185	04.13.0038.01	Nipple 3/8" - 3/8"