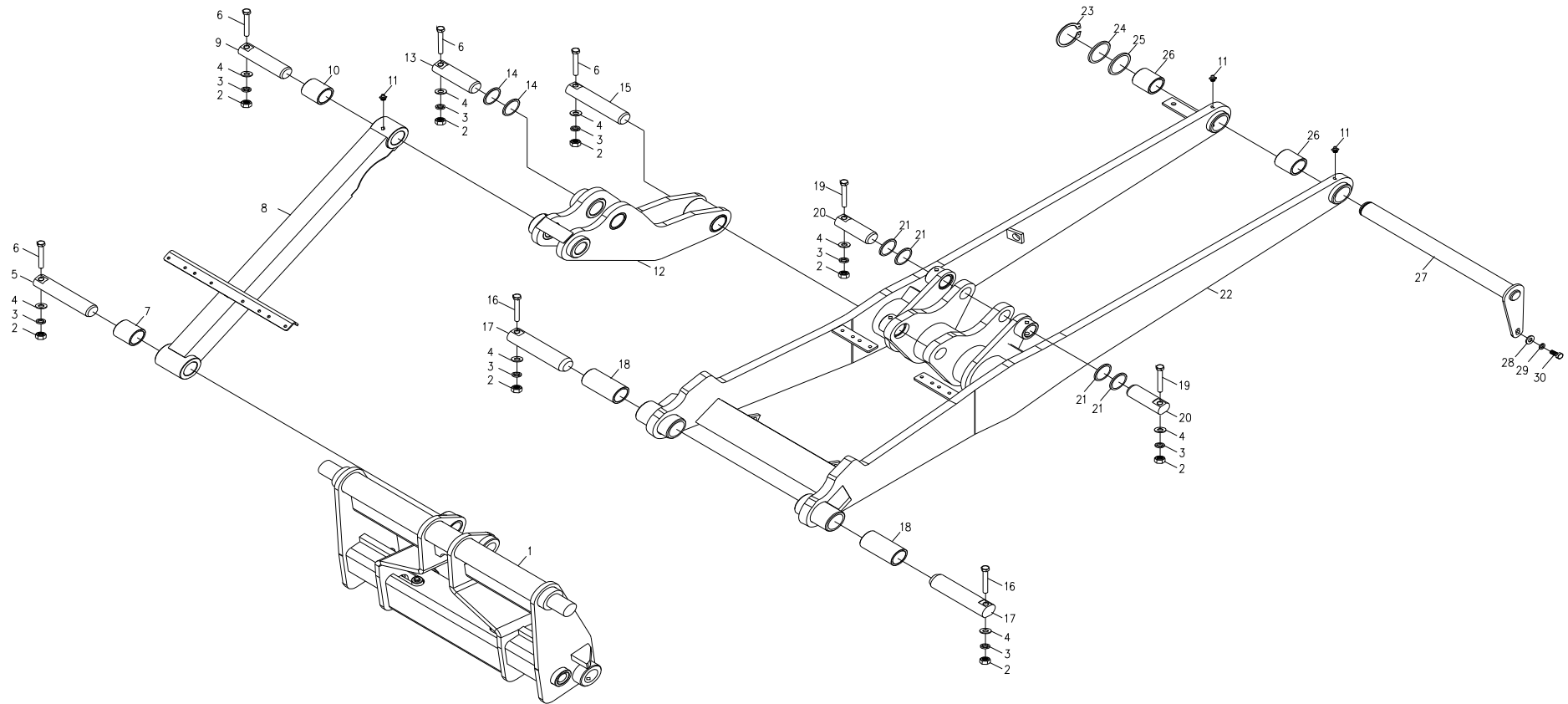




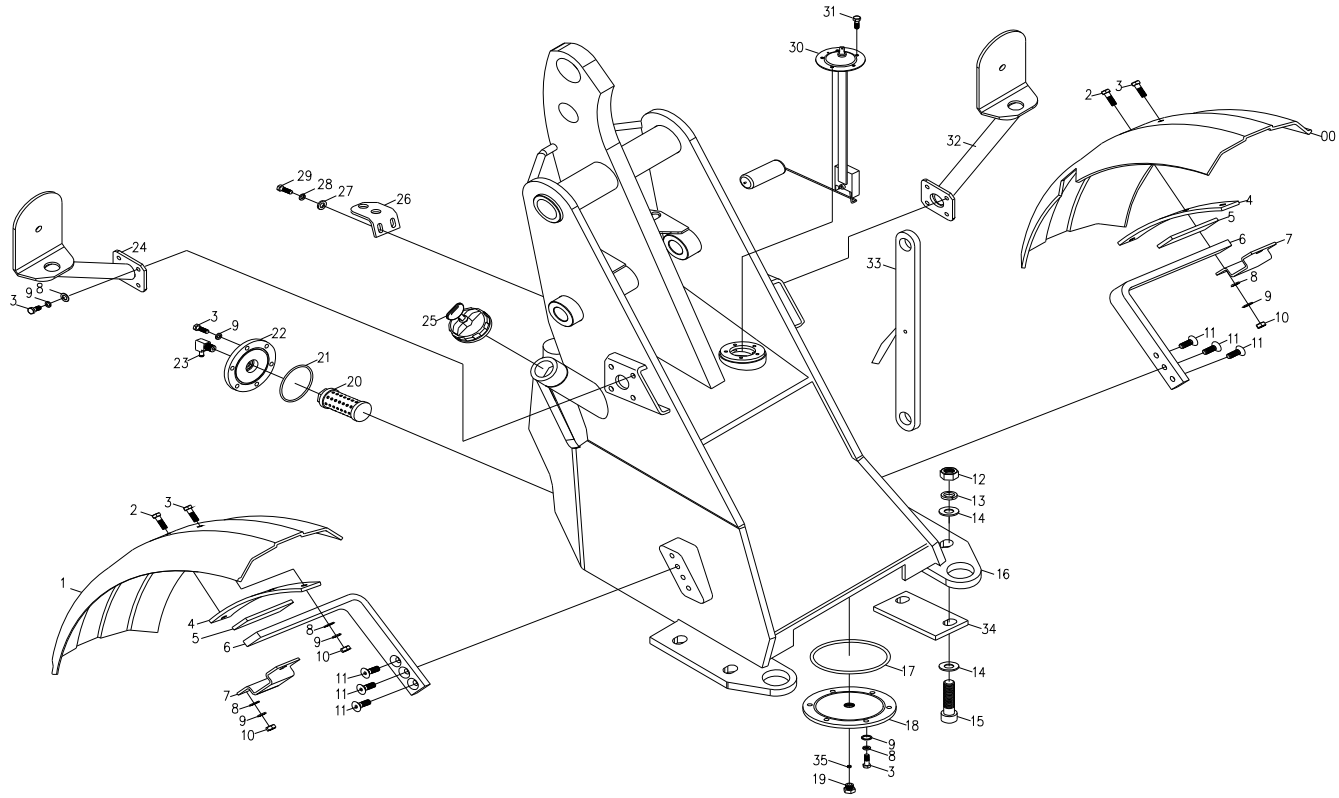
lifting arm assembly



NO.	PART NO.	名称	NAME	QUTY	REMARK
1	WL35-014100	挂架焊合件	insert frame	1	
2	GB/T6170-2000	螺母M10	nut M10	10	
3	GB/T93-1987	垫圈10	spring washer 10	10	
4	GB/T97.2-2000	垫圈10	washer 10	10	
5	WL35-010008	连杆销轴	bolt	1	
6	GB/T5782-2000	螺栓M10x80	bolt M10x80	5	
7	WL35-010013	连杆前衬套	bearing	1	
8	WL35-013000	连杆焊合件	jjont lever	1	
9	WL35-010005	摇臂上销轴	bolt	1	
10	WL35-010010	连杆后衬套	sleeve	1	
11	GB/T1152-2000	油杯M10x1	oil cup M10x1	7	
12	WL35-012000	摇臂焊合件	rocker weldding	1	
13	WL35-010004	翻斗油缸前销轴	turn cylinder axls pin	1	
14	WL35-010012	垫片I	washer	2	
15	WL35-010003	摇臂下销轴	rocker bolt	1	
16	GB/T5782-2000	螺栓M10x85	bolt M10x85	2	
17	WL35-010006	工作臂前销轴	bolt	2	
18	WL35-010011	工作臂前衬套	bearing	2	
19	GB/T5782-2000	螺栓M10x70	bolt M10x70	3	
20	WL35-010002	大臂油缸前销轴	shaft	2	
21	WL35-010014	垫片II	washer	4	
22	WL35-011000	工作臂焊合件	lifing arm	1	



front chassis frame assembly

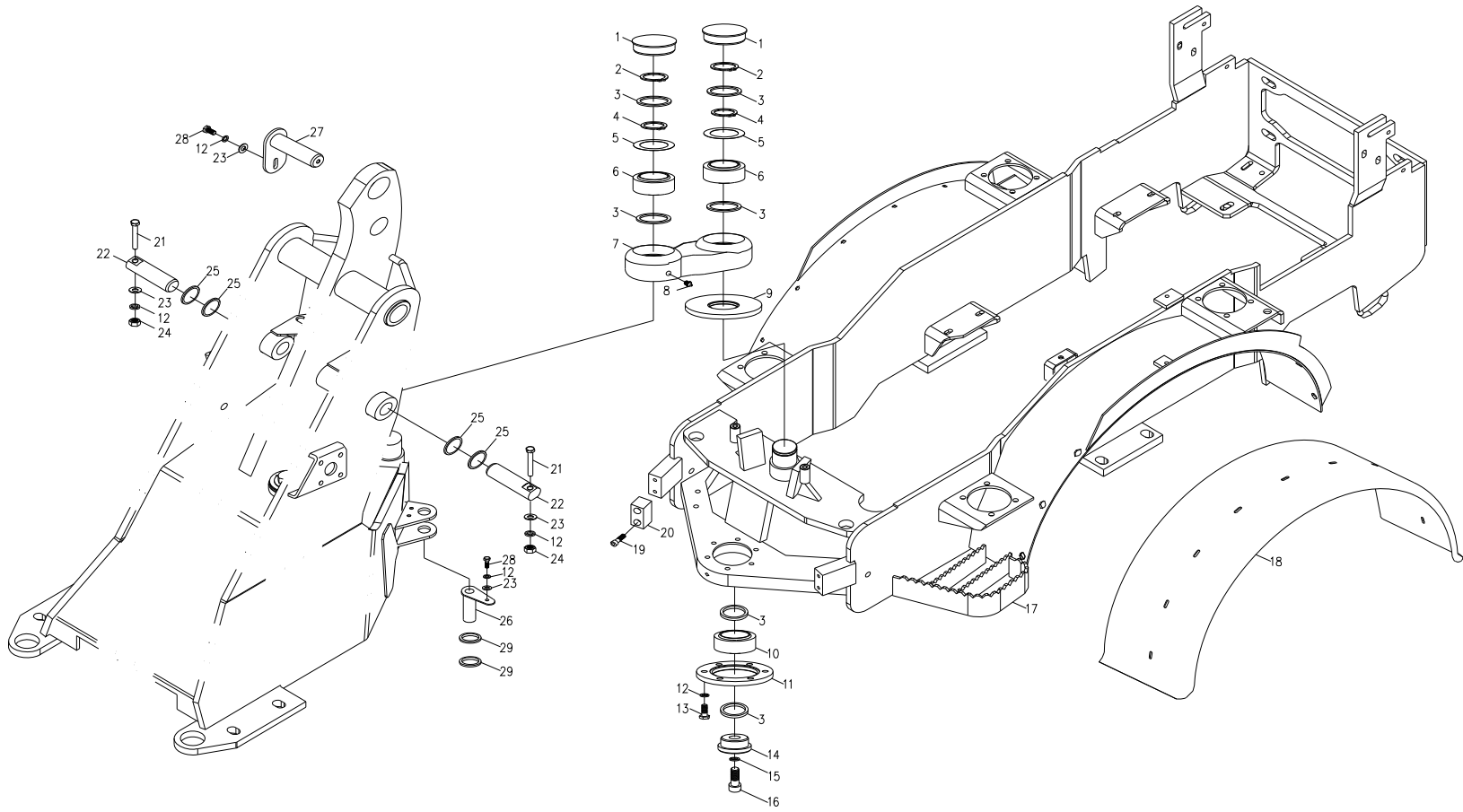


NO.	PART NO.	名称	NAME	QTY	REMARK
1	WL25-060001	右挡泥瓦	rigWL mudguard	1	
2	GB/T5781-2000	螺栓M8x30	bolt M8x30	2	
3	GB/T5781-2000	螺栓M8x25	bolt M8x25	18	
4	WL25-060002	加强板	bracket	2	
5	WL35-060001	垫板	underlay	2	
6	WL35-060002	调节板	regulate plate	2	
7	WL25-060003	支架板	bracket	2	
8	GB/T97-2000	垫圈8	washer 8	26	
9	GB/T93-2000	垫圈8	spring washer 8	20	
10	GB/T6170-2000	螺母M8	nut M8	6	
11	GB/T70.3-2000	内六角沉头螺钉M10X30	bolt M10x30	6	
12	GB/T6182-2000	螺母M20	nut M20	4	
13	GB/T93-2000	垫圈20	spring washer 20	4	
14	GB/T95-2000	垫圈20	washer 20	8	
15	GB/T70.1-2000	螺栓M20x80	bolt M20x80	4	
16	WL35-022000	前车架焊合件	front chassis frame assembly	1	
17	GB3452.1-92	O型圈122x3.55	ring 122x3.55	1	
18	WL35-026000	放油堵板合件	out fuel plate	1	
19	WL25-031007	螺塞	oil drain plug	1	
20	WL25-040015	燃油箱滤芯 WU-25X100	network patter fule filter WU-25X100	1	
21	GB3452.1-92	O型圈80x3.55	ring 80x3.55	1	
22	WL25-027000	油箱法兰盘合件	fule tank flange	1	





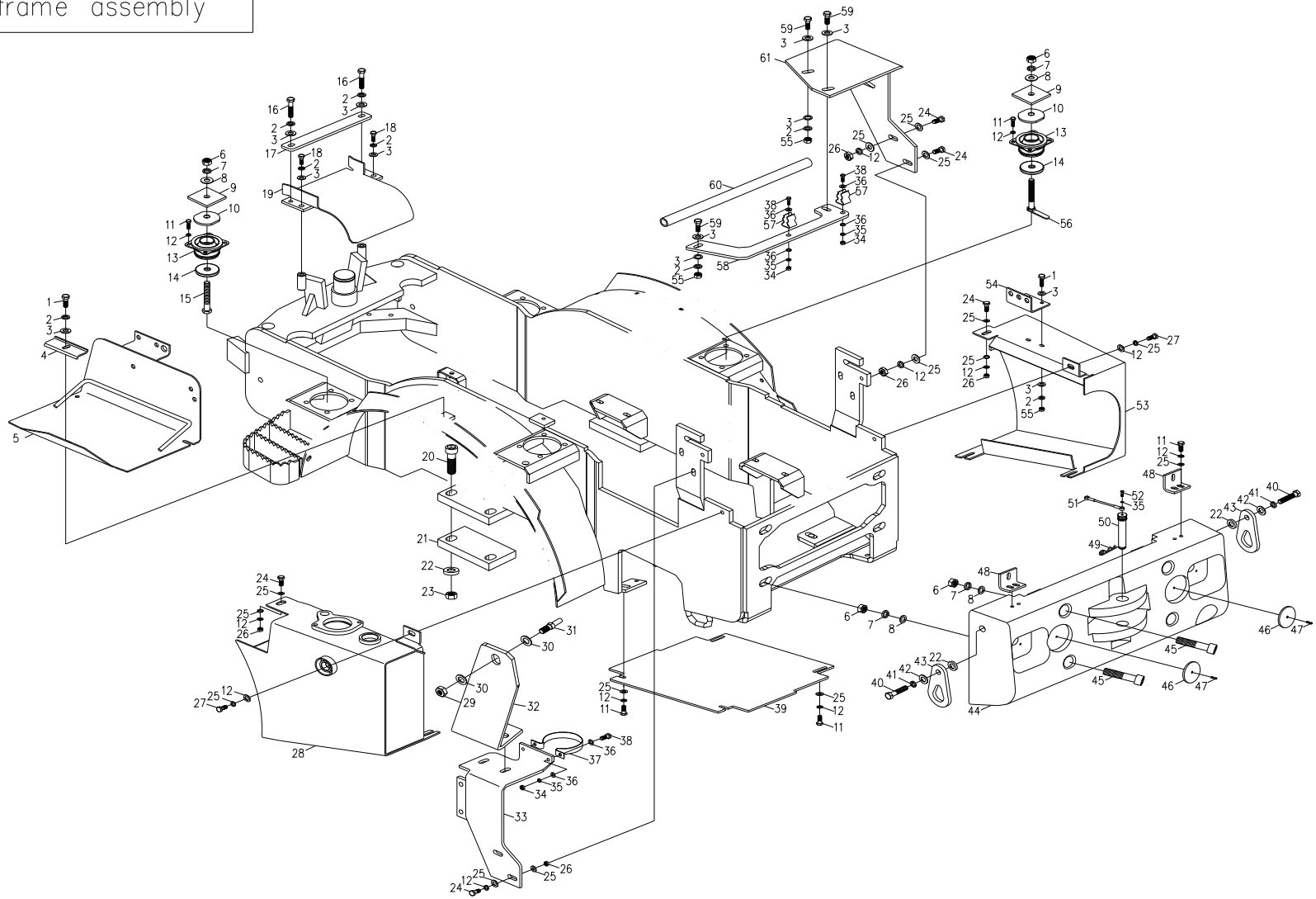
hinge assembly



NO.	PART NO.	名称	NAME	QUTY	REMARK
1	WL25-023002	防护盖	guard lid	2	
2	GB/T894.2-86	轴用挡圈50	ring 50	2	
3	WL25-020007	垫圈	washer	6	
4	GB/T893.1-86	挡圈75	ring 75	2	
5	WL25-023003	调整垫	washer	2	
6	GB/T9163-2001	关节轴承 GE50-D0-2RS	bearing	2	
7	WL25-023001	铰接块	hinge block	1	
8	JB/T7940.1-1995	油杯M10x1	oil cup M10x1	1	
9	WL25-020031	橡胶垫	rubber washer	1	
10	GE50-F0-2RS	关节轴承	bearing	1	
11	WL35-020011	铰接轴下盖	housing guard lid	1	
12	GB/T93-87	垫圈10	spring washer 10	8	
13	GB/T5783-2000	螺栓M10x25	bolt M10x25	6	
14	WL35-020012	铰接轴下轴套	housing bolt case	1	
15	GB/T93-87	垫圈20	spring washer 20	1	
16	GB/T70.1-2000	螺钉M20x50	bolt M20x50	1	
17	WL35-021000	后车架焊合件	back chassis frame assembly	1	
18	WL35-060003	后挡泥瓦	rear mudguard	2	
19	GB/T70.1-2000	螺钉 M8x40	bolt M8x40	4	
20	WL25-020014	限位块	silent block	2	
21	GB/T5782-2000	螺栓M10x70	bolt M10x70	2	
22	WL35-010001	大臂油缸后销轴	bolt	2	



rear chassis frame assembly

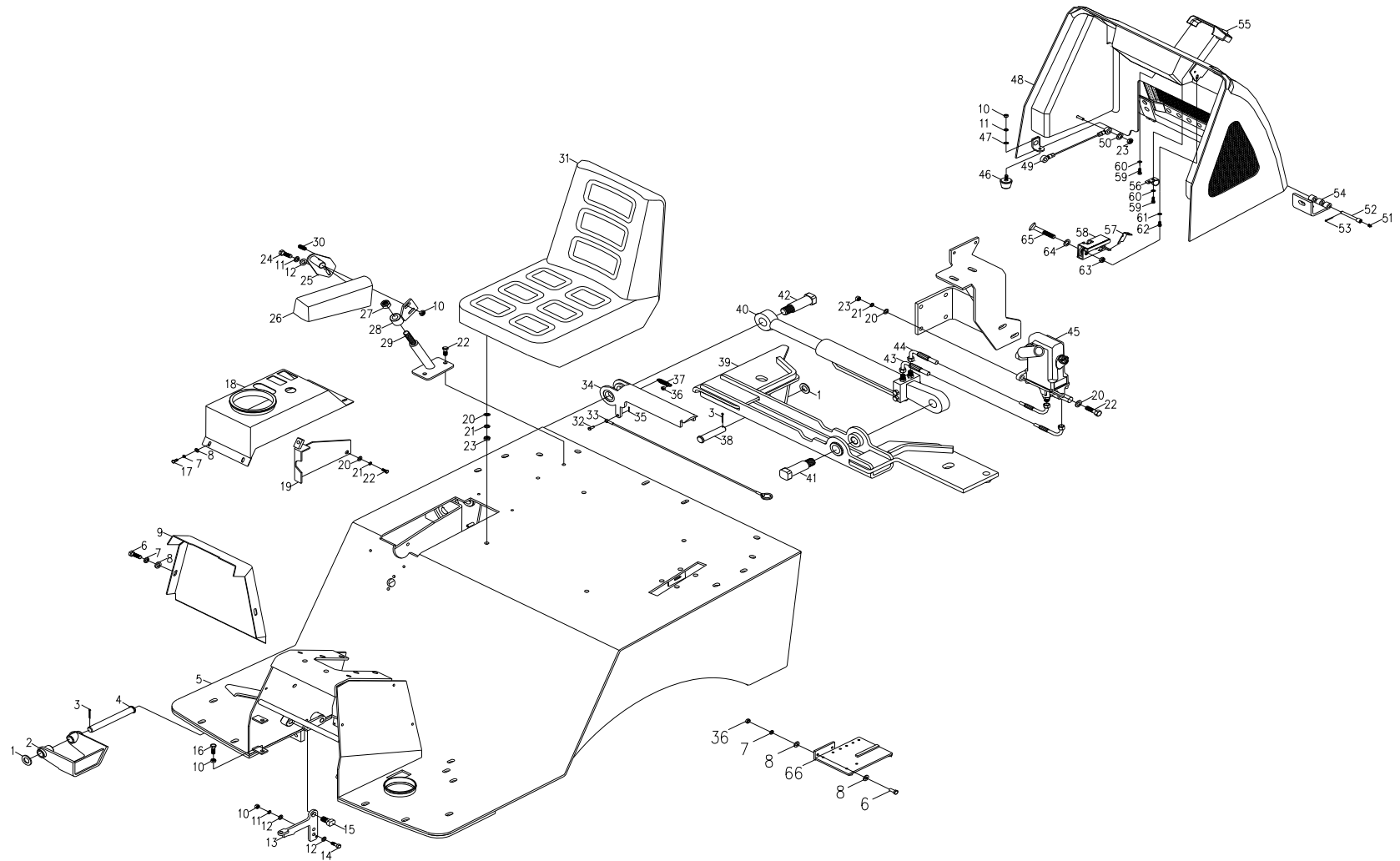


NO.	PART NO.	名称	NAME	QUTY	REMARK
1	GB/T5782-86	螺栓M8x25	bolt M8x25	1	
2	GB/T93-87	垫圈8	spring washer 8	11	
3	GB/T95-2000	垫圈8	washer 8	15	
4	WL35-020007	电瓶压板	the plate use to press secondary cell	1	
5	WL35-020300	电瓶盒焊件	battery box frame	1	
6	GB/T3089.1-82	自锁螺母 M16	nut M16	8	
7	GB/T93-87	垫圈16	spring washer 16	8	
8	GB/T97.2-2000	垫圈16	washer 16	8	
9	WL50-020012	减震块垫板	shock absorption cushion plate	4	
10	WL50-020013	减震块底板	shock absorption plate	4	
11	GB/T5783-86	螺栓M10x25	bolt M10x25	26	
12	GB/T93-87	垫圈10	spring washer 10	35	
13	WL50-020500	减震块合件	shock absorption plate	4	
14	WL35-020010	减震块垫板	shock absorption plate	4	
15	GB/T5782-86	螺栓M16x130	bolt M16x130	2	
16	GB/T5785-2000	螺栓M8x45	bolt M8x45	2	
17	WL35-020021	管路压板	plate	1	
18	GB/T5785-2000	螺栓M8x20	bolt M8x20	2	
19	WL35-020500	油管托架焊件	oil line bearer	1	
20	GB/T70.1-2000	螺钉M20x110	bolt M20x80	4	
21	WL35-020016	后桥垫板	bridge cushion	2	
22	WL35-020015	垫板	cushion	4	
23	GB/T3089.1-82	自锁螺母 M20	nut M20	4	
24	GB/T5781-2000	螺栓 M10x35	bolt M10x35	12	
25	GB97-85	垫圈10	washer 10	24	

NO.	PART NO.	名称	NAME	QUTY	REMARK
26	GB/T6170-2000	螺母M10	nut M10	9	
27	GB/T5781-2000	螺栓 M10X20	bolt M10x20	6	
28	WL35-020900	液压油箱合件	hydraulic box assembly	1	
29	GB/T3089.1-82	自锁螺母 M20	nut M12	1	
30	GB/T96-85	垫圈12	washer 12	2	
31	WL35-020013	锁杆	lock bar	1	
32	WL35-020008	尾罩锁紧板	rear cover seating	1	
33	WL35-020200	手动泵支架合件	pump bracket welding	1	
34	GB/T6170-86	螺母M6	nut M6	2	
35	GB/T93-87	垫圈6	spring washer 6	3	
36	GB/T97-85	垫圈6	washer 6	4	
37	WL35-020014	油壶架	oil bottle	1	
38	GB/T5783-86	螺栓M6x20	bolt M6x20	2	
39	WL35-020005	下护板	insurance palte	1	
40	GB/T5783-2000	螺栓M20x50	bolt M20x50	2	
41	GB/T93-87	垫圈20	spring washer 20	2	
42	GB/T97.2-2000	垫圈20	washer 20	2	
43	WL35-020019	后挂板	rear hung plate	2	
44	WL35-020006	后配重	rear weigWL	1	
45	GB/T70.1-2000	螺钉M16x90	bolt	4	
46	WL35-020026	反光片	viewfinder	2	
47	GB/T70.1-2000	螺钉 M4X12	pin M4x12	2	
48	WL35-020004	铰接板座	housing plate	2	
49	WL25-026001	弹簧销	spring pin	1	
50	WL35-020022	牵引销轴	traction axis pin	1	



seating assembly



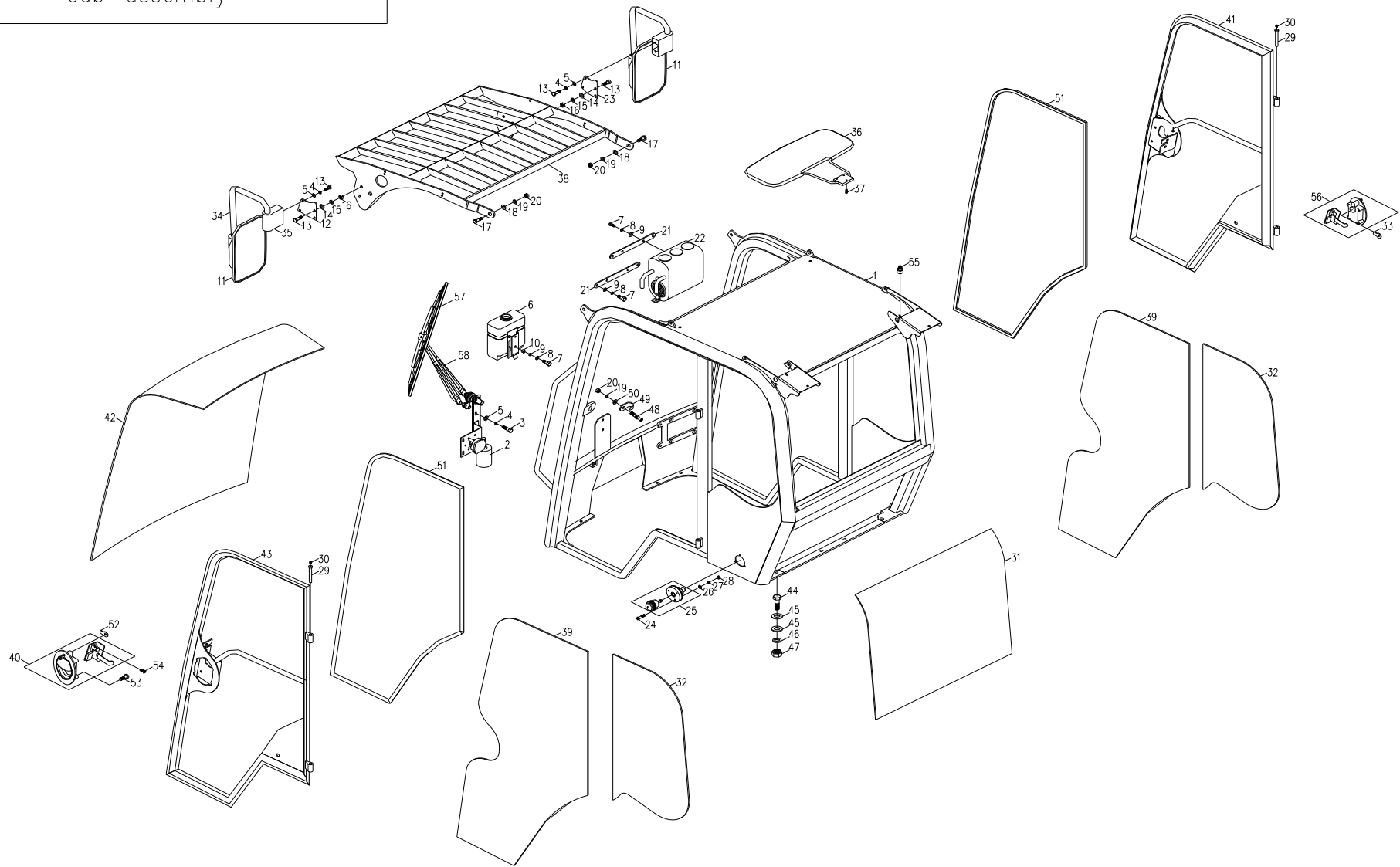


NO.	PART NO.	名称	NAME	QUTY	REMARK
1	GB/T97-85	垫片20	washer 20	2	
2	WL35-023300	前铰接座合件	front housing assembly	1	
3	GB/T91-2000	开口销4x35	pin 4x35	2	
4	WL35-023005	前铰接销轴	front housing bolt	1	
5	WL35-023100	座椅架焊合件	seating assembly	1	
6	GB/T5783-86	螺栓M6x25	bolt M6x25	4	
7	GB/T93-87	垫圈6	spring washer 6	8	
8	GB/T97-85	垫圈6	washer 6	10	
9	WL35-023002	后护板	rear insurance plate	1	
10	GB/T6170-86	螺母M8	nut M8	6	
11	GB/T93-87	垫圈8	spring washer 8	5	
12	GB/T95-85	垫圈8	washer 8	4	
13	WL35-023900	油门拉板焊合件	accelerograph plate welding	1	
14	GB/T5783-86	螺栓M8x20	bolt M8x20	1	
15	WL35-023001	固定螺栓	fixation bolt	1	
16	GB/T5783-86	螺栓M8x30	bolt M8x30	1	
17	GB/T5783-86	螺栓M6x20	bolt M6x20	4	
18	WL35-023700	手柄护盖合件	handle cover frame	1	
19	WL35-023600	多路阀支板合件	multiway valve frame	1	
20	GB/T95-85	垫圈10	washer 10	11	
21	GB/T93-87	垫圈10	spring washer 10	11	
22	GB/T5783-2000	螺栓M10x25	bolt M10x25	9	
23	GB/T6170-86	螺母M10	nut M10	10	
24	GB/T5783-86	螺栓M8x25	bolt M8x25	2	
25	WL35-024300	扶手托架合件	support frame	1	

NO.	PART NO.	名称	NAME	QUTY	REMARK
26	WL35-023011	扶手	support	1	
27	GB/T6170-83	螺母M16	nut M16	1	
28	WL35-024700	扶手支架零件	support frame	1	
29	WL35-024200	螺纹座零件	screw fastener	1	
30	WL35-023013	顶丝	bolt	1	
31	WL35-023023	座椅 SC17-II	seat	1	
32	GB/T882-2000	销轴 6x16	pin 6x16	1	
33	WL35-023021	拉线	line	1	
34	WL35-023500	保护架零件	insurance welding	1	
35	GB/T91-2000	销 2x16	pin 2x16	1	
36	GB/T6184-2000	螺母 M6	nut M6	3	
37	WL35-023007	拉簧	spring	1	
38	WL35-023004	后铰接销轴	shaft	1	
39	WL35-023200	后铰接座零件	rear housing assembly	1	
40	WL35-070400	驾驶室油缸	cab cylinder	1	
41	WL35-023014	短螺纹轴	short screw thread shaft	1	
42	WL35-023012	长螺纹轴	long screw thread shaft	1	
43	WL35-072001	油管I 球形高压胶管 $\phi 6 \times I$ L=600	hose I	1	2xM12x1.5 90°X180°
44	WL35-072002	油管II 球形高压胶管 $\phi 6 \times I$ L=550	hose II	1	2xM12x1.5 90°X170°
45	WL35-071006	手动泵C FTB-00	pump	1	
46	WL35-050200	减震块零件	shock absorber	2	
47	GB/T5287-2002	垫圈8	washer 8	2	
48	WL35-051000	机罩零件	cover assembly	1	
49	WL35-050100	限位拉线零件	limitter line	2	
50	GB/T97.1-2002	垫圈10	washer 10	2	



cab assembly

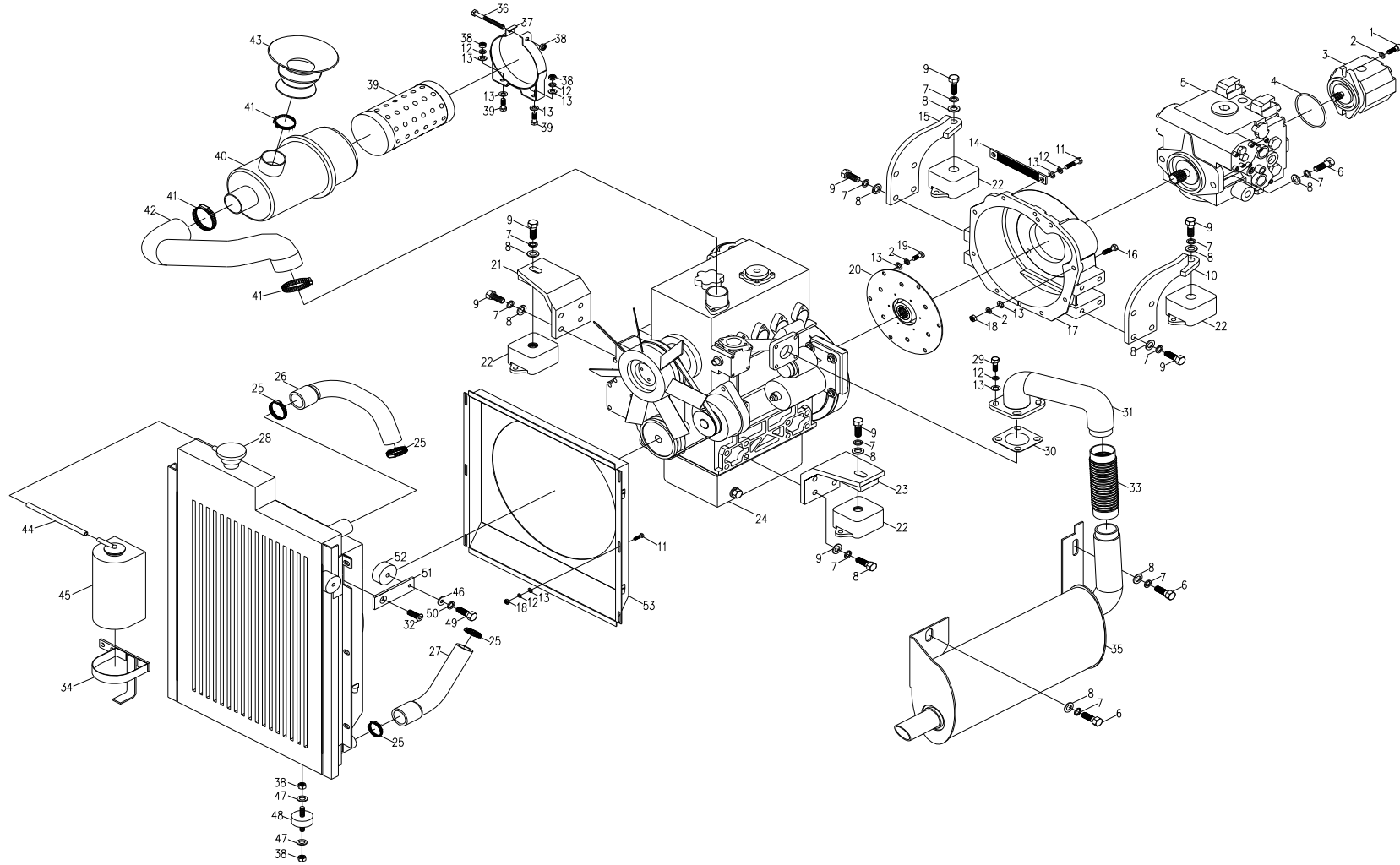


NO.	PART NO.	名称	NAME	QUTY	REMARK
1	WL35-111000	驾驶室焊合件	cab welding	1	
2	WL35-110034	雨刮器电机 ZD1430	windscreen wiper motor	1	12V/40W
3	GB/T5781-86	螺栓M8x20	bolt 8x20	5	
4	GB/T93-87	垫圈8	spring washer 8	9	
5	GB/T97-85	垫圈8	washer 8	9	
6	WS50-090800F	洗涤剂总成 XD104	water bottle	1	
7	GB/T5781-86	螺栓M6x16	bolt 6x16	6	
8	GB/T97-85	垫圈6	washer 6	6	
9	GB/T93-87	垫圈6	spring washer 6	6	
10	GB/T6170-86	螺母M6	nut M6	6	
11	WL35-110040	反光镜总成JX-126	viewfinder assembly	2	
12	WL35-110020	反光镜左连板	viewfinder left plate	1	
13	GB/T5781-86	螺栓M8x25	bolt 8x25	8	
14	GB/T95-85	垫圈8	washer 8	8	
15	GB/T93-87	垫圈8	spring washer 8	8	
16	GB/T6170-86	螺母M8	nut M8	4	
17	GB/T5783-86	螺栓M12x35	nut M12x35	4	
18	GB/T95-85	垫圈12	washer 12	4	
19	GB/T93-87	垫圈12	spring washer 12	5	
20	GB/T6170-86	螺母M12	nut M12	5	
21	WL35-110013	暖风机固定板	warm plate	2	
22	WL35-110039	暖风机	warm	1	
23	WL35-110019	反光镜右连板	viewfinder rigWL plate	1	
24	GB/T818-2000	螺钉M5x20	bolt M5x20	6	
25	WL35-110100	碰锁	lock	2	

NO.	PART NO.	名称	NAME	QUTY	REMARK
26	GB/T95-85	垫圈5	washer 5	6	
27	GB/T93-87	垫圈5	spring washer 5	6	
28	GB/T6170-86	螺母M6	nut M6	6	
29	WL35-110004	门销轴	pin M6	4	
30	JB/T7940.1-1995	油杯M6	oil cup M6	4	
31	WL35-110008	后玻璃	rear glass	1	
32	WL35-110001	侧后玻璃	side rear glass	2	
33	WL35-110022	左锁连接板	lock plate	1	
34	WL35-110700	反光镜连接杆	viewfinder staff	2	
35	WL35-110026	反光镜固定座	viewfinder immobility	2	
36	WL35-110028	遮阳板总成	havelock assembly	1	
37	GB/T70.3-2000	螺钉M5x12	bolt M5x12	3	
38	WL35-102000	保护架焊合件	protect welding	1	
39	WL35-110003	侧前玻璃	side front glass	2	
40	WL35-110029	扣手锁 GJMB-12-R	locking	1	
41	WL35-110200	右车门焊合件	rigWL side door weding	1	
42	WL35-110002	前玻璃	front glass	1	
43	WL35-110300	左车门焊合件	left side door weding	1	
44	GB/T5783-86	螺栓M10x40	bolt M10x40	10	
45	GB/T97-85	垫圈10	washer 10	20	
46	GB/T93-87	垫圈10	spring washer 10	10	
47	GB/T6170-86	螺母M10	nut M10	10	
48	WL35-110009	门锁杆	lock bar	2	
49	WL35-110010	防挂板	plate	2	
50	GB/T96-85	垫圈12	washer 12	2	



engine assembly



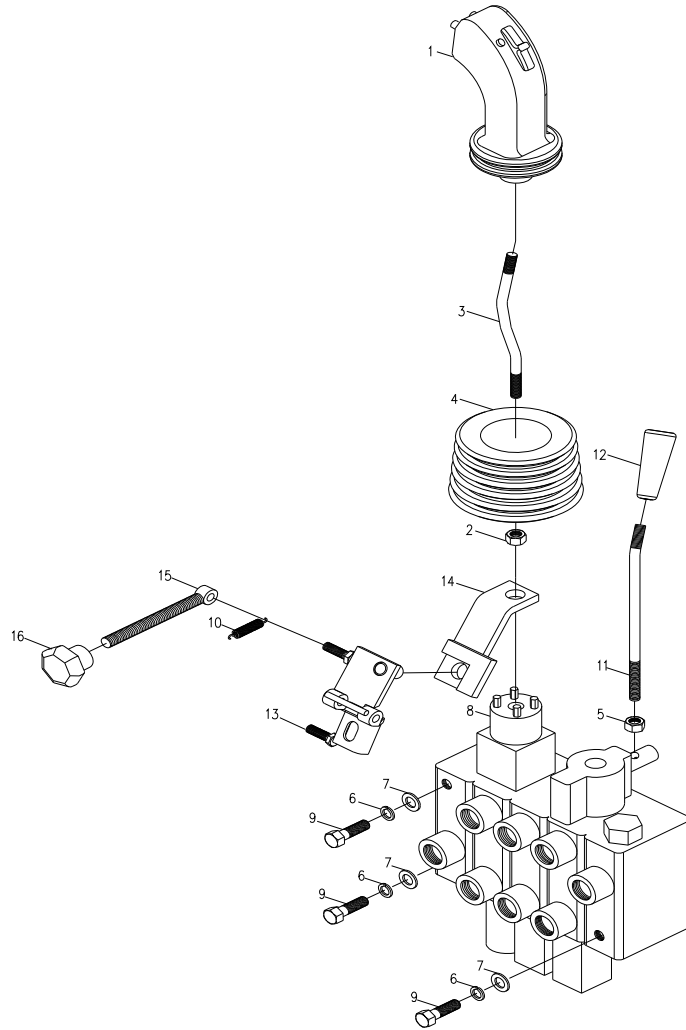


NO.	PART NO.	名称	NAME	QTY	REMARK
1	GB/T70-85	螺钉M8x25	bolt M8x25	2	
2	GB/T93-87	垫圈8	spring washer 8	10	
3	WL35-071008	齿轮泵 17DSC06	pump	1	
4	GB/T3452.1-92	O型密封圈Ø82.5x2.65	ring Ø82.5x2.65	1	
5	WL35-071003	柱塞泵 R902097975	pump	1	
6	GB/T5783-2000	螺栓M12x35	bolt M12x35	5	
7	GB/T93-87	垫圈12	spring washer 12	22	
8	GB/T97-85	垫圈12	washer 12	22	
9	GB/T5783-2000	螺栓M12x40	bolt M12x40	20	
10	WL35-040500	右前支腿焊接件	rigWL front bracket	1	
11	GB/T5783-2000	螺栓M8x30	bolt M8x30	7	
12	GB/T93-87	垫圈8	spring washer 8	9	
13	GB/T97-85	垫圈8	washer 8	12	
14	WL35-040001	接地线	load line	1	
15	WL35-040600	左前支腿焊接件	left front bracket	1	
16	GB/T5783-2000	螺栓M8x30	bolt M8x30	9	
17	WL25-040800	罩壳	loose flange	1	
18	GB/T6170-86	螺母M8	nut M8	12	
19	WL25-040007	联轴器螺栓	bolt	6	
20	WL25-040700	联轴器合件	flange	1	
21	WL35-040300	左后支腿焊接件	left back bracket	1	
22	WL50-040100	发动机减震块	silent block	4	
23	WL35-040400	右后支腿焊接件	rigWL back bracket	1	
24	WL35-040011	发动机 404D-15	diesel engine	1	
25	JB/ZQ4440-86	喉箍35-51	clampe	4	

NO.	PART NO.	名称	NAME	QUTY	REMARK
26	WL35-040006	回水管	export water hose	1	
27	WL35-040005	进水管	import water hose	1	
28	WL35-041100	散热器总成	watercooler	1	
29	GB/T5783-2000	螺栓M8x20	bolt M8x20	4	
30	WL35-040010	密封垫	washer	1	
31	WL35-040100	排气接管焊件	exhaust pipe	1	
32	GB/T70.3-2000	内六角沉头螺钉 M10x25	bolt M10x25	2	
33	WL35-040200	波纹管焊件	tube	1	
34	WL35-027000	溢水壶支架焊件	overflow kettle braket welding	1	
35	WL35-040700	消声器焊件	silencer	1	
36	GB/T70-85	螺钉M8x70	bolt M8x70	1	
37	WL25-044000	空滤器支架焊件	bracket	1	
38	GB/T6170-86	螺母M10	nut M10	5	
39	WL35-040013	空滤器滤芯 K1025	filter	1	
40	WL35-040012	空滤器 KW1025C	filter	1	
41	JB/ZQ4440-86	喉箍( $\phi 35\sim\phi 51$ )	clampe	3	
42	WL35-040002	空滤器连接管	filter tube	1	
43	WL35-040007	空滤器橡胶套	filter rubber sleeve	1	
44	WS50-040002	溢水管 $\phi 8$ L=300	overflow hose	1	
45	WS50-040001	溢水壶	overflow kettle	1	
46	WL35-040003	垫片	washer	2	
47	GB/T96-2000	垫圈10	washer 10	4	
48	WL35-041300	下减震块焊件	under shock absorber	2	
49	GB/T5783-86	螺栓M10x45	bolt M10x45	2	
50	GB/T93-87	垫圈10	spring washer 10	2	

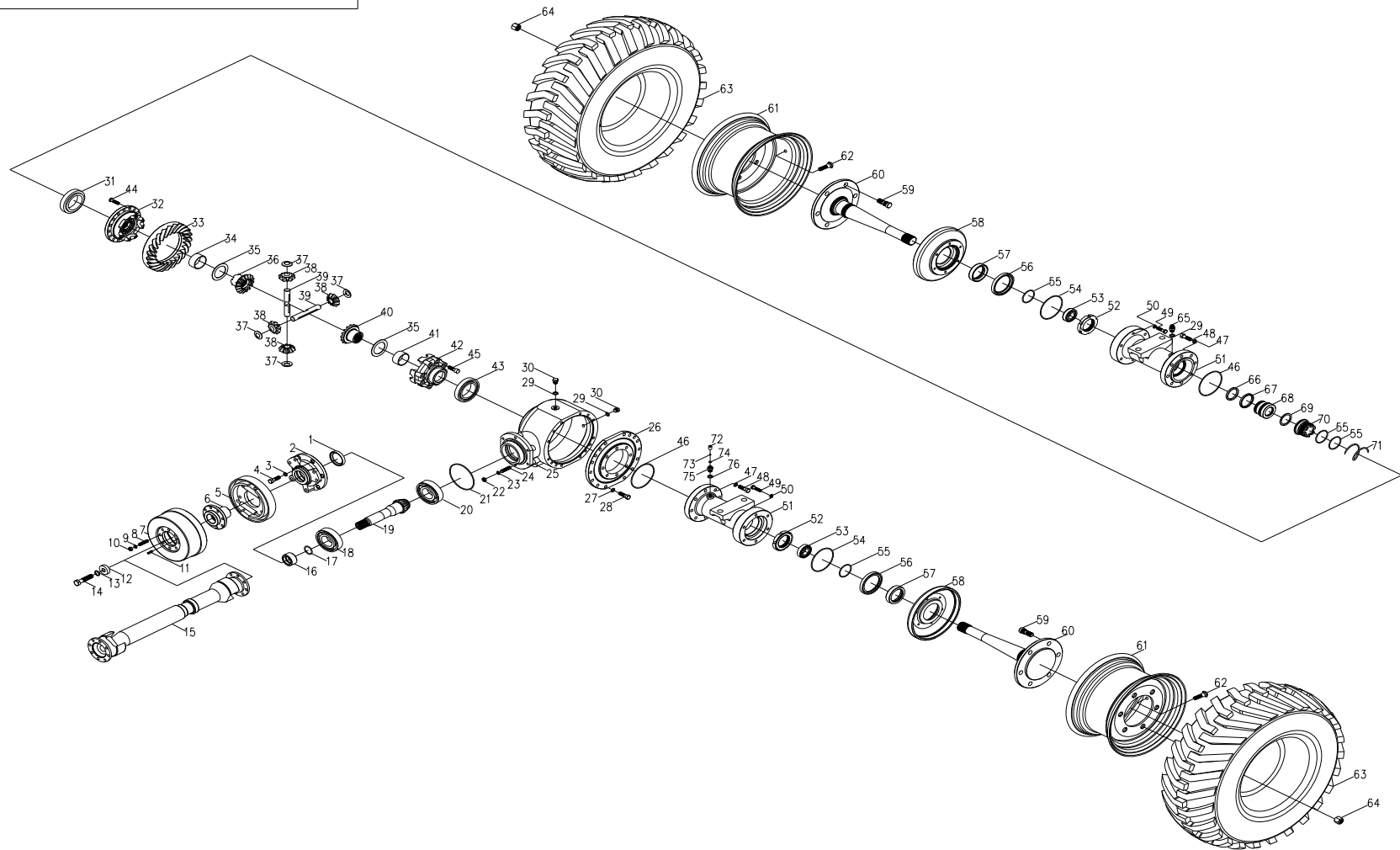


multiway valve and control





front transmission assembly



NO.	PART NO.	名称	NAME	QTY	REMARK
1	GB9877.1-88	油封72x55x12	soaling ring 72x55x12	1	
2	WL35-031502	联接座	joint assembly	1	
3	GB/T93-87	垫圈12	spring washer 12	6	
4	GB/T5783-86	螺栓M12x35	bolt M12x35	6	
5	WL35-031507	鼓式制动器	brake drum	1	
6	WL35-031504	连接套	joint sleeve	1	
7	WL35-031501	制动鼓	brake drum	1	
8	WL35-031505	双头螺栓	bolt	8	
9	GB/T93-87	垫圈10	spring washer 10	8	
10	GB/T6170-86	螺母M10	nut M10	8	
11	GB/T819-85	螺钉M5x20	bolt M5x20	1	
12	WL35-031503	压垫	washer	1	
13	GB/T93-87	垫圈16	spring washer 16	1	
14	GB/T5783-86	螺栓M16x45	bolt M16x45	1	
15	WL35-034000	传动轴	transmittion shaft	1	
16	WL35-031404	隔套	sleeve	1	
17	GB/T3452.1-92	O型圈38.8x3.1	ring 38.8x3.1	1	
18	GB/T297-94	轴承32308	bearing 32308	1	
19	WL35-031405	齿轮轴	gear shaft	1	
20	GB/T297-94	轴承32310	bearing 32310	1	
21	GB3452.1-92	O型圈130x3.1	ring 130x3.1	1	
22	GB/T6170-86	螺母M10	nut M10	6	
23	GB/T93-87	垫圈10	spring washer 10	6	
24	WL35-031403	双头螺栓	bolt	6	
25	WL35-031402	差速器壳体	differential cover	1	

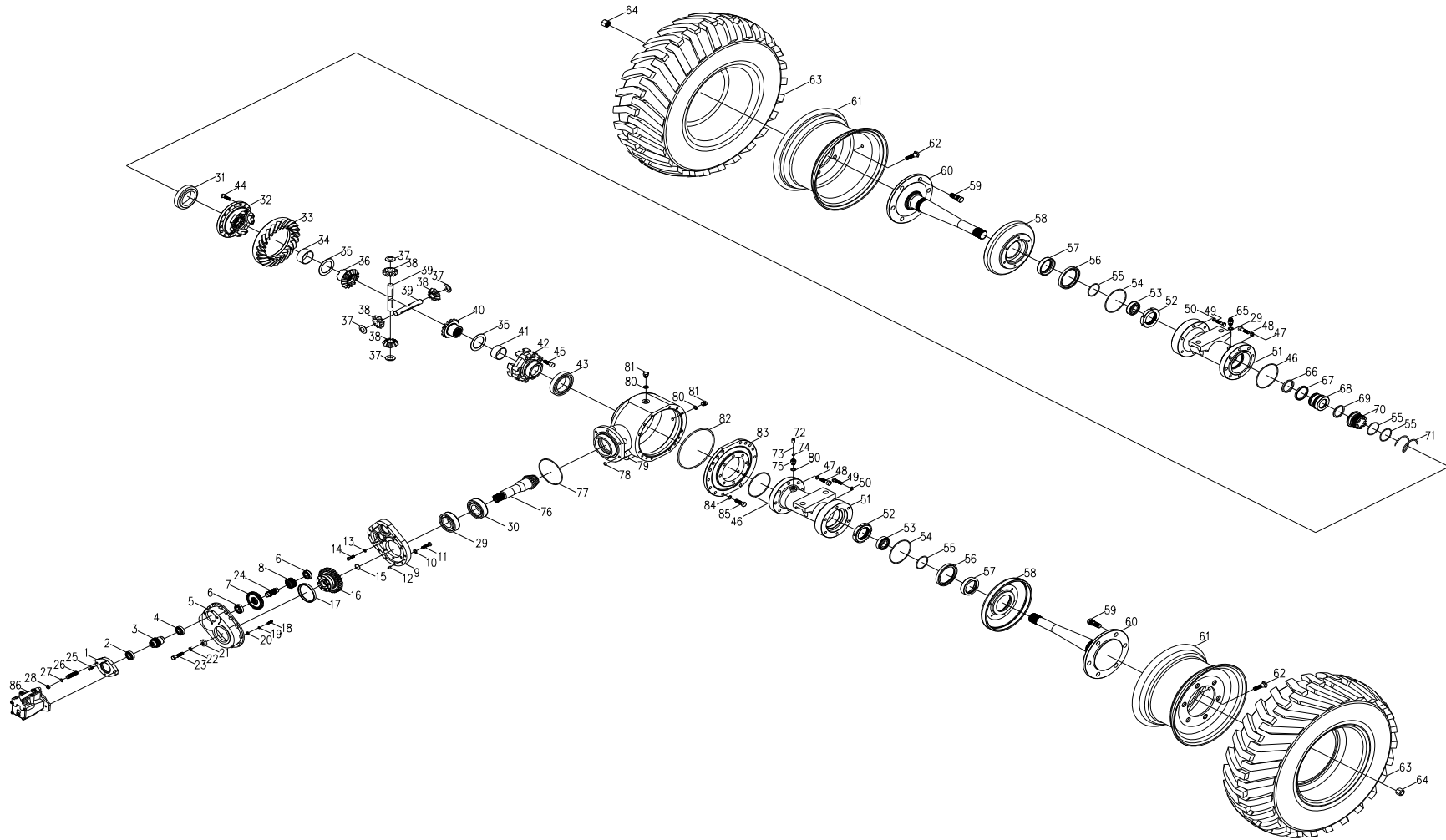
NO.	PART NO.	名称	NAME	QTY	REMARK
26	WL35-031401	轴承盖	bearing cover	1	
27	GB/T93-87	垫圈12	spring washer 12	14	
28	GB/T5783-86	螺栓M12x40	bolt M12x40	14	
29	JB982-77	垫圈14	combined 14	4	
30	WL50-020015	螺塞	oil drain plug	3	
31	GB/T297-64	轴承32016	bearing 32016	1	
32	WL35-031310	右壳体	rigWL cover	1	
33	WL35-031307	差速器齿轮	differential gear	1	
34	WL35-031309	衬套II	bearing	1	
35	WL35-031308	平垫片	washer	2	
36	WL35-031311	半轴齿轮II	differential axle gear	1	
37	WL35-031304	球垫片	washer	4	
38	WL35-031306	行星齿轮	gear wheel	4	
39	WL35-031305	差速器销轴	differential axle bolt	2	
40	WL35-031302	半轴齿轮I	gear wheel	1	
41	WL35-031301	衬套I	bearing	1	
42	WL35-031303	左外壳	left cover	1	
43	GB/T297-64	轴承32015	bearing 32015	1	
44	GB/T5783-86	螺栓M12x30	bolt M12x30	16	
45	GB/T70-85	螺钉M10x65	bolt M10x65	8	
46	GB3452.1-92	O型圈125x3.1	ring 125x3.1	2	
47	GB/T93-87	垫圈12	spring washer 12	16	
48	GB/T5783-86	螺栓M12x45	bolt M12x45	16	
49	GB/T5783-86	螺栓M10x55	bolt M10x55	16	
50	GB/T93-87	垫圈10	spring washer 10	16	



NO.	PART NO.	名称	NAME	QUTY	REMARK
51	WL35-031104	套管	axle tube	2	
52	WL35-031103	圆螺母	nut	2	
53	GB/T276-94	轴承6213	bearing 6213	2	
54	GB3452.1-92	O型圈120x3.1	ring 120x3.1	2	
55	GB3452.1-92	O型圈65x3.1	ring	4	
56	GB9877.1-88	油封110x85x12	soaling ring	2	
57	WL35-031102	油封套	soaling ring sleeve	2	
58	WL35-031101	套管座	sleeve assembly	2	
59	WL50-031015	轮胎螺栓	bolt	6	
60	WL35-031108	半轴	differential axle	2	
61	WL35-030002	轮辋8.00x15	wheel felloe	2	
62	TR415	气门嘴	wheel cylinder bleeder screw	2	轮辋附带
63	WL35-030001	轮胎 27x10.5-15	wheel	2	
64	WL50-031032	球面螺母	nut	6	
65	WL50-073003	进油接头	screw coupling	1	
66	ODI	Yx密封圈53x63x6	ring 53x63x6	1	
67	ODI	Yx密封圈60x70x6	ring 60x70x6	1	
68	WL35-031105	活塞	bearing	1	
69	GB4605-84	轴承 889109	bearing	1	
70	WL35-031107	结合止	joint	1	
71	WL35-031106	锁压簧	spring	1	
72	WL35-031602	透气盖	let air in cover	1	
73	WL35-031604	压簧	spring	1	
74	WL35-031603	橡胶垫	rubber washer	1	
75	WL35-031601	透气座	let air in	1	



back transmission assembly



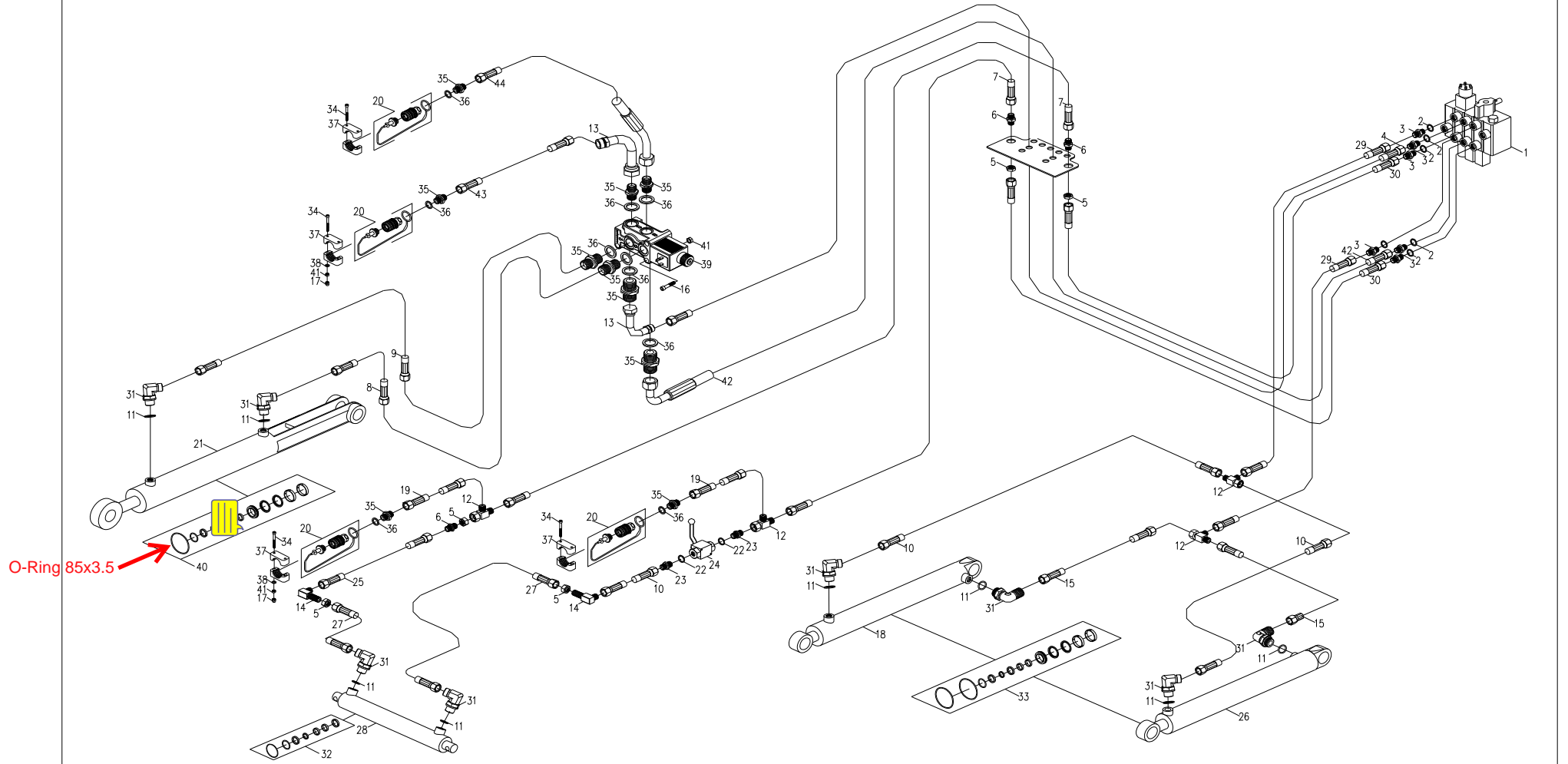
NO.	PART NO.	名称	NAME	QTY	REMARK
1	WL35-033004	法兰盘	tank flange	1	
2	GB/T276-94	轴承G209	bearing 6209	2	
3	WL35-033005	齿轮轴	gear wheel bolt	1	
4	GB/T276-94	轴承G009	bearing 6009	1	
5	WL35-033001	箱体I	box I	1	
6	GB/T283-94	轴承NJ206	bearing NJ206	2	
7	WL35-033003	齿轮I	gear wheel I	1	
8	WL35-033007	齿轮II	gear wheel II	1	
9	WL35-033008	箱体II	box II	1	
10	GB/T93-87	垫圈10	spring washer 10	20	
11	GB/T5783-86	螺栓M10x55	bolt M10x55	12	
12	GB/T119-86	销A8x20	pin A8x20	2	
13	GB/T93-87	垫圈12	spring washer 12	8	
14	GB/T5783-86	螺栓M12x40	bolt M12x40	8	
15	GB/T3452.1-92	O型圈38.8x3.1	ring 38.8x3.1	1	
16	WL35-033009	齿轮III	gear wheel III	1	
17	GB9877.1-88	油封140x120x14	soaling ring 140x120x14	1	
18	WL35-033002	双头螺栓	bolt	8	
19	GB/T97-85	垫圈10	washer 10	8	
20	GB/T6170-86	螺母M10	nut M10	8	
21	WL35-031503	压垫	washer	1	
22	GB/T93-87	垫圈16	spring washer 16	1	
23	GB/T5783-86	螺栓M16x45	bolt M16x45	1	
24	WL35-033006	花键轴	key bolt	1	
25	GB/T70-85	螺钉M8x20	bolt M8x20	2	

NO.	PART NO.	名称	NAME	QUTY	REMARK
26	WL35-033010	双头螺栓	bolt	2	
27	GB/T97-85	垫圈12	washer 12	2	
28	GB/T6170-86	螺母M12	nut M12	2	
29	GB/T297-94	轴承32308	bearing 32308	1	
30	GB/T297-94	轴承32310	bearing 32310	1	
31	GB/T297-64	轴承32016	bearing 32016	1	
32	WL35-031310	右壳体	rigWL cover	1	
33	WL35-031307	差速器齿轮	gear wheel	1	
34	WL35-031309	衬套II	bearing	1	
35	WL35-031308	平垫片	washer	2	
36	WL35-031311	半轴齿轮II	gear wheel	1	
37	WL35-031304	球垫片	washer	4	
38	WL35-031306	行星齿轮	gear wheel	4	
39	WL35-031305	差速器销轴	differential axle	2	
40	WL35-031302	半轴齿轮 I	gear wheel	1	
41	WL35-031301	衬套I	bearing	1	
42	WL35-031303	左外壳	left cover	1	
43	GB/T297-64	轴承32015	bearing 32015	1	
44	GB/T5783-86	螺栓M12x30	bolt M12x30	16	
45	GB/T70-85	螺钉M10x65	bolt M10x65	8	
46	GB/T3452.1-92	O型圈125x3.1	ring 125x3.1	2	
47	GB/T93-87	垫圈12	spring washer 12	16	
48	GB/T5783-86	螺栓M12x45	bolt M12x45	16	
49	GB/T5783-86	螺栓M10x55	bolt M10x55	16	
50	GB/T93-87	垫圈10	spring washer 10	16	

NO.	PART NO.	名称	NAME	QTY	REMARK
51	WL35-031104	套管	sleeve	2	
52	WL35-031103	圆螺母	nut	2	
53	GB/T276-94	轴承6213	bearing 6213	2	
54	GB3452.1-92	O型圈120x3.1	ring 120x3.1	2	
55	GB3452.1-92	O型圈65x3.1	ring 65x3.1	4	
56	GB9877.1-88	油封110x85x12	soaling ring 10x85x12	2	
57	WL35-031102	油封套	soaling ring sleeve	2	
58	WL35-031101	套管座	sleeve assembly	2	
59	WL50-031015	轮胎螺栓	bolt	6	
60	WL35-031108	半轴	differential axle	2	
61	WL35-030002	轮辋8.00x15	wheel felloe	2	
62	TR415	气门嘴	wheel cylinder bleeder screw	2	轮胎附带
63	WL35-030001	轮胎 27x10.5-15	wheel	2	
64	WL50-031032	球面螺母	nut	6	
65	WL50-073003	进油接头	screw coupling	1	
66	ODI	Yx密封圈53x63x6	ring	1	
67	ODI	Yx密封圈60x70x6	ring	1	
68	WL35-031105	活塞	bearing	1	
69	GB4605-84	轴承 889109	bearing	1	
70	WL35-031107	结合止	joint	1	
71	WL35-031106	锁压簧	spring	1	
72	WL35-031602	透气盖	let air in cover	1	
73	WL35-031604	压簧	spring	1	
74	WL35-031603	橡胶垫	rubber washer	1	
75	WL35-031601	透气座	let air in	1	



lifting hydraulic system

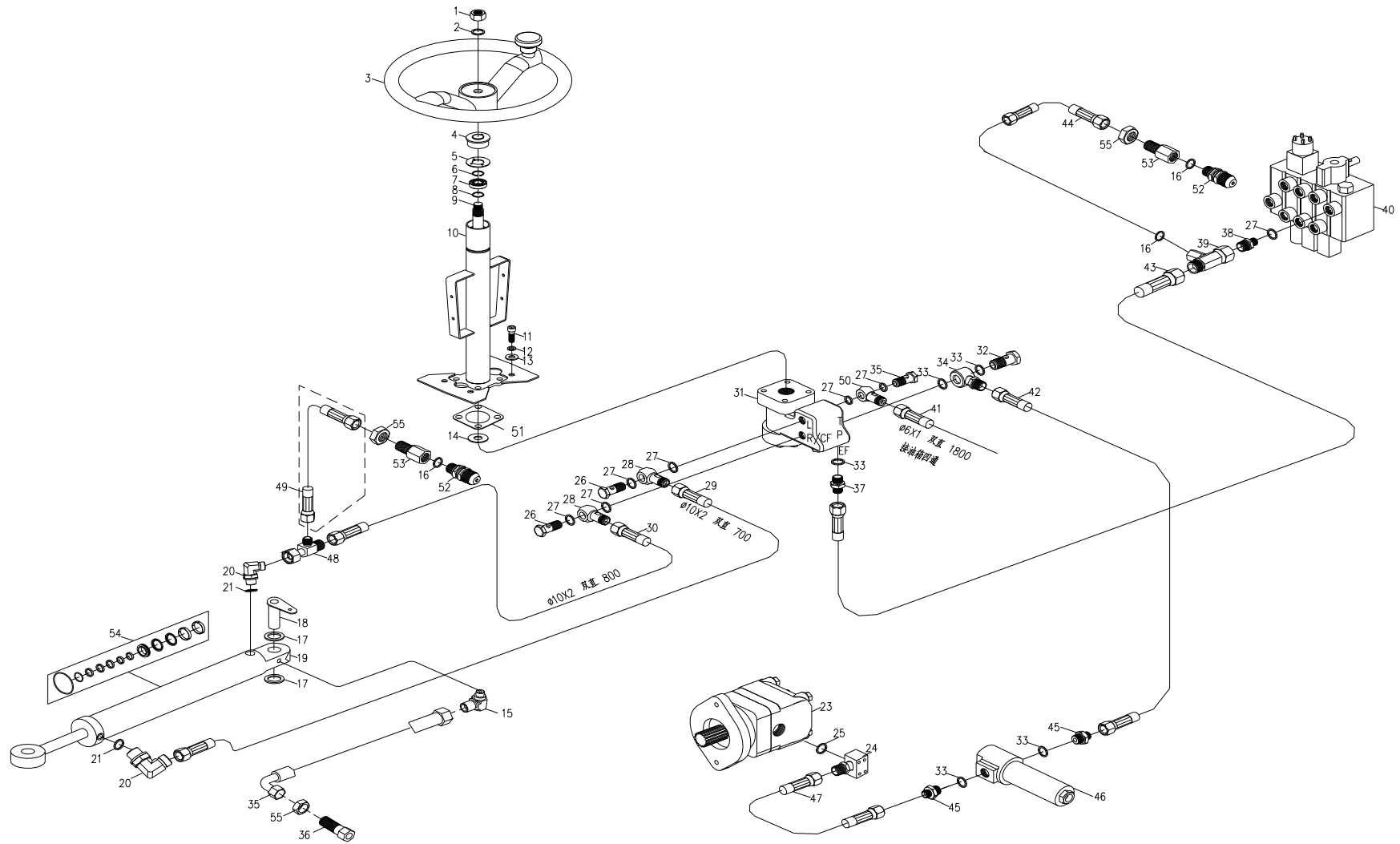




NO.	PART NO.	名称	NAME	QUTY	REMARK
1	WL35-071002	多路阀 61859BC	multiway valve	1	
2	WS50-071604	E型圈14.7X18.9X1.5	E-Ring 4.7X18.9X1.5	6	GE15LR3/8EDOMDA3C
3	WS50-072027	平衡阀接头体	screw coupling	6	WD-B06
4	WL35-072003	多路阀出油胶管 球形高压胶管总成 $\phi$ 10xII L=1500	hose	1	M18X1.5, 90°X直
5	WL35-070028	锁紧螺母M18	nut	9	
6	WL25-070009	过渡接头体	screw coupling	5	
7	WL35-072004	辅具胶管 球形高压胶管总成 $\phi$ 10xII L=850	hose	2	2XM18X1.5, 双直
8	WL35-072005	翻斗油缸后胶管 球形高压胶管总成 $\phi$ 10xII L=1150	hose	1	2XM18X1.5, 90°X直
9	WL35-072006	翻斗油缸前胶管 球形高压胶管总成 $\phi$ 10xII L=1700	hose	1	2XM18X1.5, 90°X直
10	WL25-070028	辅具中间右胶管 球形高压胶管总成 $\phi$ 10xII L=900	hose	3	2XM18X1.5, 90°X直通
11	GB/T3452.1-1992	O型圈: 15.3X2.4	O-Ring 15.3x2.4	8	
12	WS50-071069	三通接头	screw coupling	2	
13	WL35-070600	两位六通阀接头		2	
14	WL35-070023	接头	screw coupling	2	
15	WL35-072009	大臂油缸后胶管 球形高压胶管总成 $\phi$ 10xII L=800	hose	2	2XM18X1.5, 90°X直
16	GB/T170.1-2000	螺钉M6x25	bolt	3	
17	GB/T802-1988	螺母M6	nut	4	
18	WL35-070200	右大臂油缸	rigWL lift cylinder	1	
19	WL25-070021	快换胶管 球形高压胶管总成 $\phi$ 10xII L=1500	hose	2	2XM18X1.5, 90°X直通
20	WL35-071016	快换接头	quick coupler	4	PV12GAST
21	WL35-070300	翻斗油缸	turn cylinder	1	
22	WS50-071607	E型圈15.7X20.9X1.5	E-Ring 15.7X20.9X1.5	2	
23	WS50-072024	双三通快接头体	screw coupling	2	
24	WL35-071012	球阀 QJH-10NL	globe valve	1	
25	WL25-070018	大臂油缸前胶管 球形高压胶管总成 $\phi$ 10xII L=1000	hose	1	2XM18X1.5, 90°X直通



steering hydraulic system

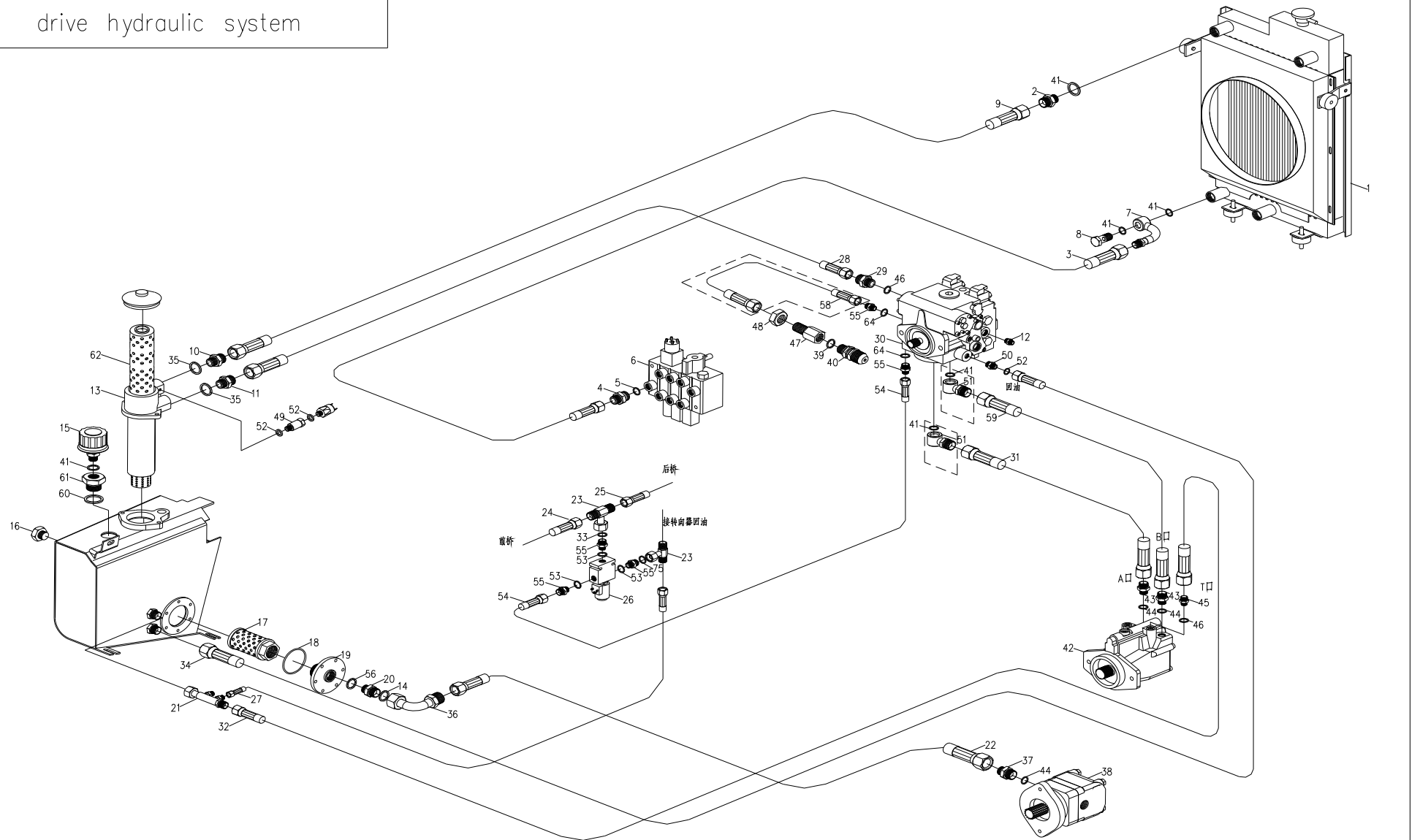


NO.	PART NO.	名称	NAME	QUTY	REMARK
1	GB/T6173-2000	螺母M16	nut	1	
2	GB/T97.1-2000	平垫片	washer	1	
3	WL35-081200	方向盘	steering wheel	1	
4	WL35-081002	绝缘座	absolute plate	1	
5	WL35-081003	导电板	plate	1	
6	GB/T894.1-1994	轴用挡圈	ring	1	
7	GB/T276-94	深沟球轴承61904-Z	bearing	1	
8	GB/T893.1-1994	孔用挡圈	ring	1	
9	WL35-081001	转向杆	steering column with	1	
10	WL35-081100	转向筒合件	lever	1	
11	GB/T70.1-2000	螺钉M10x30	bolt	8	
12	GB/T93-2000	垫圈10	spring washer	8	
13	GB/T95-2000	垫圈10	washer	8	
14	WL35-081004	挡板	plate	1	
15	WL50-070018	直角接头体	screw coupling	1	
16	GB/T3452.1-1992	O型圈12.0X2.0	combined washer	3	
17	WL35-020024	转向油缸调整垫片	washer	2	
18	WL35-020600	前转向铰接轴	bolt	1	
19	WL25-070100	转向油缸	driver cylinder	1	
20	WS50-072032	可调向直角接头体18	screw coupling	2	WEE12LM18X1.50MDA3C

NO.	PART NO.	名称	NAME	QUTY	REMARK
21	GB/T3452.1-1992	O型圈: 15.3X2.4	O-Ring 15.3x2.4	2	
22					
23	WL35-071008	齿轮泵 17DSC06	pump	1	
24	WL35-070002	齿轮泵出油接头体	screw coupling	1	
25	GB/T3452.1-1992	O型圈 19X2.65	combined	1	
26	WL25-070007	空心螺栓G3/8	rdiator hollow holt	2	
27	WS50-071605	E型圈 18.5X23.9X1.5	E-Ring 18.5x23.9x1.5	6	WD-M08
28	WL25-070022	G3/8空心接头	hollow	2	
29	WL35-072018	转向油缸前胶管 球形高压胶管总成 $\phi$ 10xII L=700	hose	1	2XM18X1.5,双直
30	WL25-070017	大臂油缸后胶管 球形高压胶管总成 $\phi$ 10xII L=800	hose	1	2XM18X1.5,双直
31	WL35-071001	转向器 11006223	steering system	1	
32	WL25-070006	G1/2空心螺栓	rdiator hollow holt	2	
33	WS50-071610	E型圈 23.9X29.2X1.5	E-Ring 23.9x29.2x1.5	4	WD-B12
34	WL25-070900	转向器进油接头体合件	screw coupling	1	
35	WL25-070034	短空心螺栓G3/8	rdiator hollow holt	1	
36	WL50-070017	油杯座	screw coupling	1	
37	WS50-071088	回油座回油接头	screw coupling	1	
38	WS65-072009	平衡阀接头体	screw coupling	1	
39	WS50-072021	多路阀过渡三通接头	screw coupling	1	
40	WL35-071002	多路阀 61859BC	multiway valve	1	



drive hydraulic system



NO.	PART NO.	名称	NAME	QUTY	REMARK
1	WL35-041000	散热器总成	oil cooler	1	
2	WL35-070020	散热器接头体	screw coupling	1	
3	WL35-072026	多路阀回油胶管 球形高压胶管总成 $\phi 13 \times II$ L=1500	hose	1	2XM22X1.5, 双直
4	WS65-072009	平衡阀接头体	screw coupling	1	M22X1.5
5	WS50-071604	E型圈 14.7X18.9X1.5	E-Ring 14.7x18.9x1.5	1	
6	WL35-071002	多路阀 61859BC	multiway valve	1	
7	WL35-071500	散热器接管焊合件	hose	1	
8	WL25-070031	散热器空心螺栓	rdiator hollow holt	1	
9	WL35-072027	散热器出油胶管 球形高压胶管总成 $\phi 13 \times II$ L=1500	hose	1	2XM22X1.5, 90°x90°x230°
10	WS65-072039	多路阀进油接头体	screw coupling	1	
11	WS50-072128	多路阀回油接头体	screw coupling	1	
12	WL35-070031	制动接头体	screw coupling	1	
13	WL35-071011	吸回油过滤器 E084-288	filter	1	
14	GB/T3452.1-1992	O型圈 19.0X2.0	ring	1	
15	WL35-071010	滤芯 PQB0.45X3B4	filter	1	
16	JB/T7941.2-1995	油标A20	oil mark	1	同WS50
17	WL25-070003	滤芯(液压油箱) WU-100x40	filter	1	
18	GB/T3452.1-1992	O型圈80x3.55	ring	1	
19	WL25-028000	液压油箱法兰盘合件	hydraulic tank flange	1	
20	WL35-070032	油箱过渡接头	screw coupling	1	

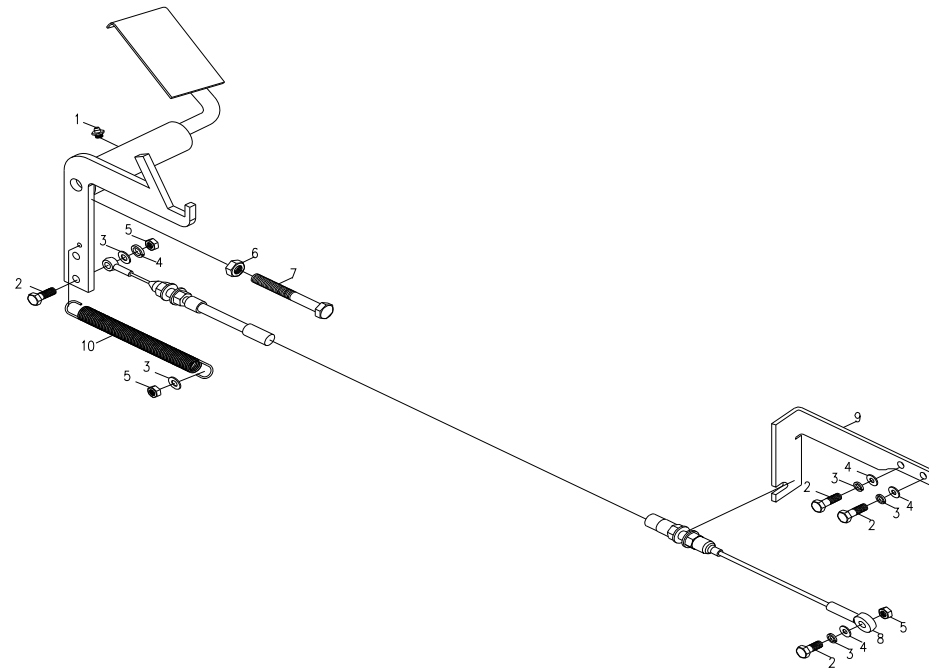


NO.	PART NO.	名称	NAME	QUTY	REMARK
21	WL35-070700	马达总回油接头体焊合件	screw coupling	1	
22	WL35-072028	齿轮泵吸油胶管 球形高压胶管总成 $\phi 19 \times I$ L=800	hose	1	2XM30X1.5, 90°x直通
23	WS50-071025	三通接头体	screw coupling	1	
24	WL35-072029	后桥控制胶管 球形高压胶管总成 $\phi 6 \times I$ L=600	hose	1	2XM14X1.5, 90°X90°x270°
25	WL35-072030	前桥控制胶管 球形高压胶管总成 $\phi 6 \times I$ L=1600	hose	1	2XM14X1.5, 90°X直通
26	WS50-071506	插装式电磁阀(805390919)	electromagnetic valve	1	
27	WL35-072031	电磁阀回油胶管 球形高压胶管总成 $\phi 6 \times I$ L=1000	hose	1	2XM14X1.5,90°X直通
28	WL35-072032	柱塞泵吸油胶管 球形高压胶管总成 $\phi 19 \times I$ L=950	hose	1	2XM27X1.5,90°X直通
29	WL35-070030	接头	screw coupling	1	原号: GE22LM33X2EDOMA3C
30	WL35-071003	排液泵(柱塞泵) R902097975	pump	1	
31	WL35-072033	柱塞泵A口胶管 球形高压胶管总成 $\phi 16 \times IV$ L=540	hose	1	2XM27X1.5,90°X90°X230°
32	WL35-072034	马达回油胶管 球形高压胶管总成 $\phi 13 \times II$ L=1400	hose	1	2xM22x1.5, 90°x直通
33	GB/T3452.1-1992	O型圈 6.5X1.5	ring	1	
34	WL35-072035	柱塞泵回油胶管 球形高压胶管总成 $\phi 13 \times II$ L=1000	hose	1	2XM22X1.5, 90°X直通
35	WS50-071610	E型圈 23.9X29.2X1.5	E-Ring 23.9x29.2x1.5	2	WD-B12
36	WL25-071500	吸油过渡接管焊合件	screw coupling	1	
37	WL35-070001	齿轮泵进油接头体	screw coupling	1	
38	WL35-071008	齿轮泵 17DSC06	pump	1	
39	GB/T3452.1-1992	O型圈12.0X2.0	ring 12.0X2.0	1	
40	WS50-071546	测压接头 IC21.10.76(BETA)	joint(BETA)	1	

NO.	PART NO.	名称	NAME	QUTY	REMARK
41	WS50-071611	E型圈 29.7X35.7X1.5	E-Ring 29.7X35.7X1.5	2	
42	WL35-071004	液压马达 R90245445	hydraulic motor	1	
43	WL35-070026	90°法兰6000-62 重型	screw coupling	4	苏强格代号: S87692-12-12RW
44	GB3452.1-1992	O型密封圈23.47X2.95	ring	1	
45	WS50-072038	多路阀进回油接头体	screw coupling	1	
46	GB3452.1-1992	O型密封圈19.18X2.46	ring	1	
47	WL25-070043	测压接头体	joint	1	
48	WL25-070044	测压接头体螺母 BC-14	nut	1	
49	WL50-070020	回油压力接头体	combined	1	
50	WS65-072003	提升油缸过渡接头	screw coupling	1	
51	WL35-070027	对开法兰加夹6000	screw coupling	8	苏强格代号: SFS-12
52	WS50-071602	E型圈9.8X14.4X1.5	E-Ring 9.8x14.4x1.5	1	WD-M12
53	GB/T3452.1-1992	O型圈11.89X1.98	combined	3	
54	WL35-072019	电磁阀控制胶管 球形高压胶管总成 $\phi$ 6x I L=520	hose	1	2XM14X1.5, 90°X90°x260°
55	WS50-071015	马达回油接头体	screw coupling	3	
56	GB/T3452.1-1992	O型圈 26.5X3.0	combined	1	
57					
58	WL35-072012	柱塞泵测压胶管 球形高压胶管总成 $\phi$ 6x II L=800	hose(chassis left)	1	2XM14X1.5, 90°X90°x230°
59	WL35-072011	柱塞泵B口胶管 球形高压胶管总成 $\phi$ 16x IV L=540	hose	1	2XM27X1.5,90°X90°x210°
60	WS50-071612	E型圈 38.8X45.8X2.0	combined	1	

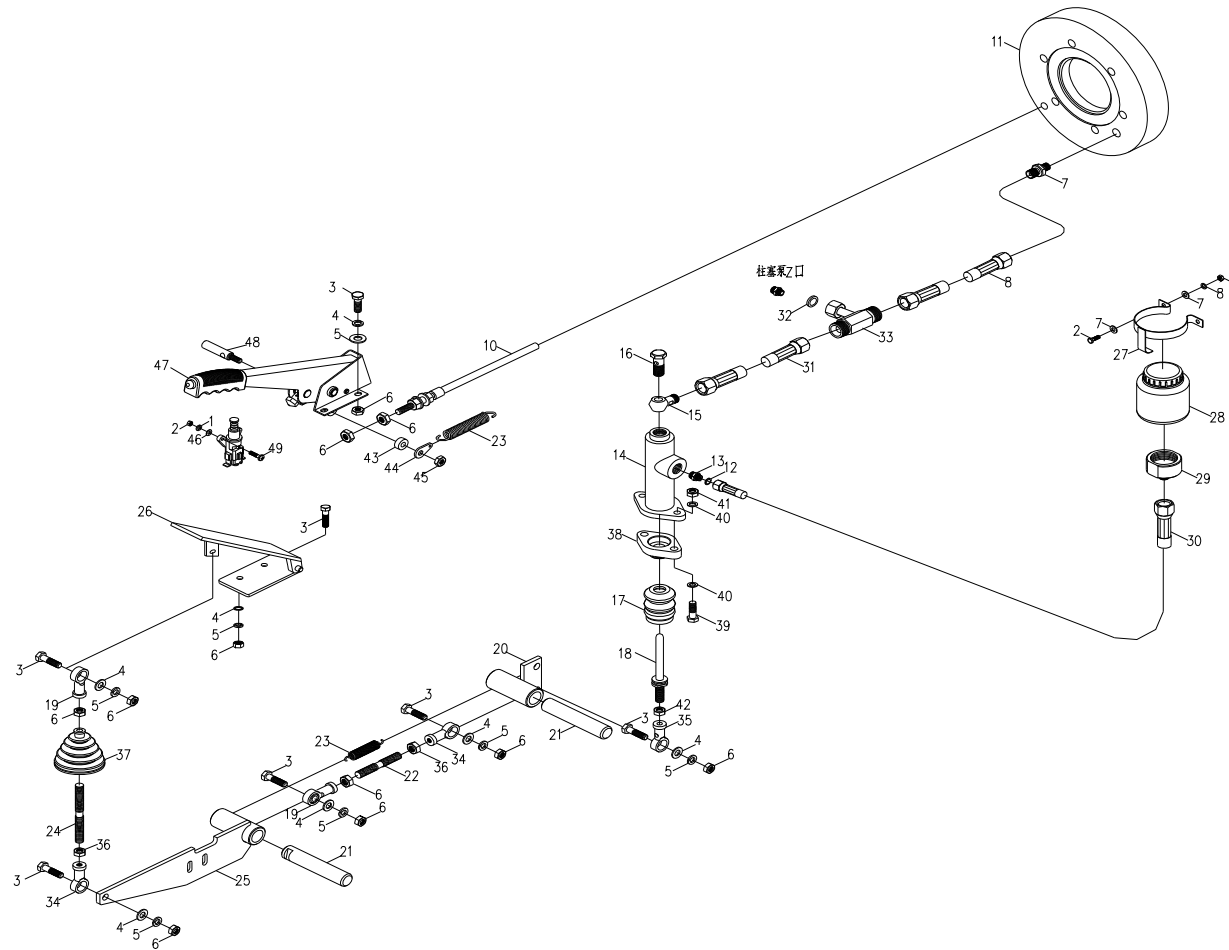


throttle pedal and control





brake system



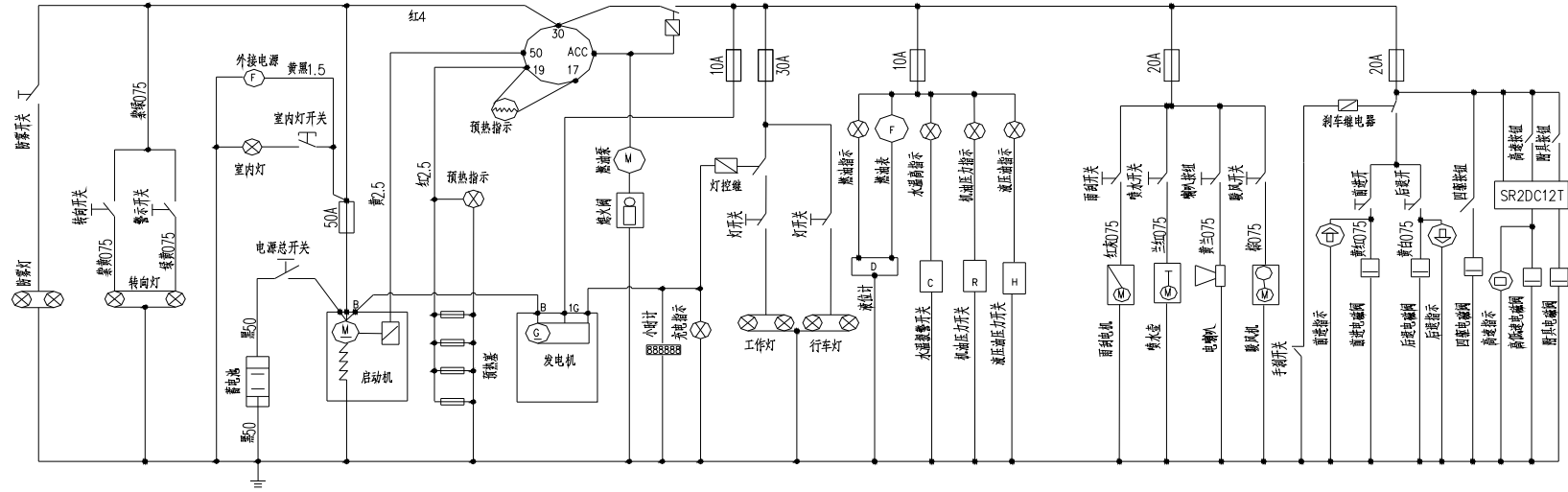
NO.	PART NO.	名称	NAME	QTY	REMARK
1	GB/T93-87	垫圈4	spring washer 4	2	
2	GB/T6170-86	螺母M4	nut M4	2	
3	GB5781-2000	螺栓M8x25	bolt M8x25	4	
4	GB/T93-87	垫圈8	spring washer 8	6	
5	GB/T95-85	垫圈8	washer 8	4	
6	GB/T6170-86	螺母M8	nut M8	10	
7	WL50-070017	油杯座	oil cup seat	1	
8	WL35-072007	刹车泵出油胶管 球形高压胶管总成 $\phi 6 \times I$ L=1900	hose	1	2XM14X1.5, 90°X直
9	GB/T6170-86	螺母M8	nut M8	4	
10	WL35-080400	制动拉线	bowden cable	1	
11	WL35-080008	鼓式制动器	brake	1	
12	WS50-071606	E型圈 13.8X18.9X1.5	E-Ring 13.8X18.9X1.5	1	
13	WL35-070012	刹车泵进油接头	screw coupling	1	
14	WL35-071005	制动刹车泵	brake pump	1	
15	WL35-070010	刹车泵空心接头体	screw coupling	1	
16	WL35-070007	M12X1.25空心螺栓	rdiator hollow holt	1	
17	WL35-020026	制动泵护套	brake pump sleeve	1	制动泵附带
18	WL35-020017	制动泵顶杆	brake pump bar	1	
19	WL50-084100	轴承S18TK	bearing	2	
20	WL35-023400	后摇臂合件	back lever	1	
21	WL35-023003	摇臂销轴	bolt	2	
22	WL35-023006	螺杆 L=70	bolt	1	
23	WL25-024003	拉簧II	spring II	2	
24	WS50-084001	螺杆 L=120	bolt	1	
25	WL35-023800	前摇臂合件	front lever	1	

NO.	PART NO.	名称	NAME	QUTY	REMARK
26	WL50-020800	刹车面板焊合件	pedal	1	
27	WL35-020021	油壶架	frame	1	
28	WL35-071015	制动油壶	brake fluid tangk	1	
29	WL35-070013	刹车壶接头	screw coupling	1	
30	WL35-072010	刹车泵进油胶管 球形高压胶管总成 $\phi 6 \times 1$ L=1450	hose	1	2XM14X1.5, 90°x直通
31	WL35-072008	刹车泵出油胶管 球形高压胶管总成 $\phi 6 \times 1$ L=500	hose	1	2XM14X1.5, 双直
32	GB/T3452.1-1992	O型圈6.5X1.5	ring 6.5X1.5	1	
33	WS50-071025	三通接头体	screw coupling	1	
34	SIL8TK	轴承SIL8TK	bearing	2	
35	SI10TK	轴承SI10TK	bearing	1	
36	GB/T6170-2000	螺母M8LH	nut M8LH	2	
37	WL35-080007	保护套	protect jacket	1	
38	WL35-070014	刹车泵端盖	brake pump cover	1	
39	GB/T5783-2000	螺栓M10x55	bolt M10x55	2	
40	GB/T95-85	垫圈10	washer 10	4	
41	GB/T889.1-2000	螺母M10	nut M10	2	
42	GB/T6170-86	螺母M10	nut M10	1	
43	WL35-023019	手刹下隔套	hand brake sleeve	1	
44	WL35-080004	弹簧拉板	spring pull plate	1	
45	GB/T889.1-2000	螺母M8	nut M8	1	

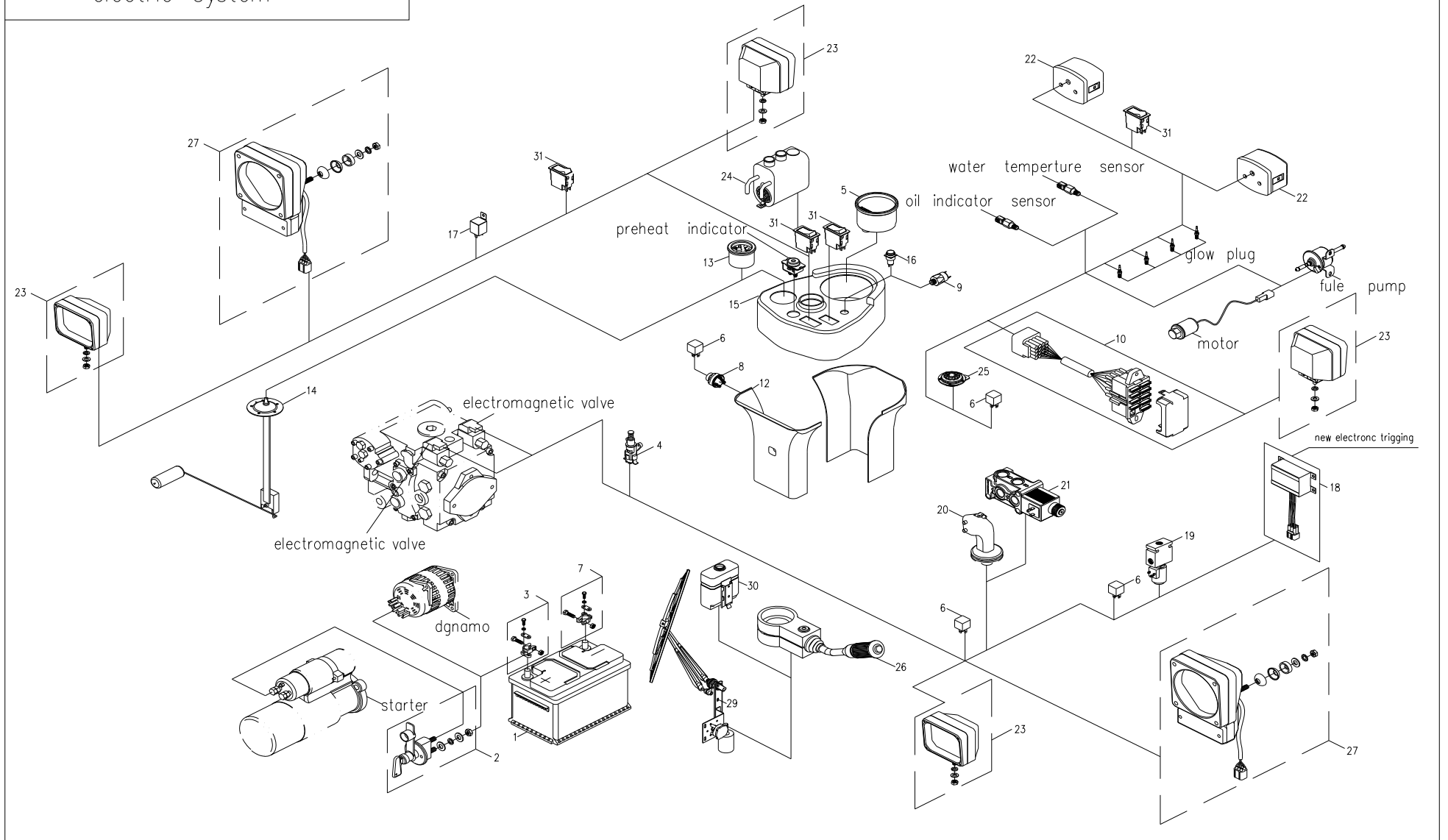




electric system



electric system



NO.	PART NO.	名称	NAME	QUTY	REMARK
1	WL35-131101	蓄电池	battery	1	
2	WL35-132105	电源总开关	electromagnetic power	1	
3	WS50-101201	电瓶正极线卡	battery line anode clampe	1	
4	WL35-132103	手刹回弹开关	brake switch	1	
5	WL35-133101	数字组合仪表	cluster gauge	1	
6	WL35-134103	继电器(K1、K2、K3、K4)	relay	4	HG4191
7	WS50-101202	电瓶负极线卡	battery line cathode clampe	1	
8	WS50-102101	点火开关	ignition switch	1	
9	WL35-132201	压力开关0166-40702-1-026	oil sieve sensor	1	
10	WL35-134107	保险丝盒 BX2091-1	fuse	1	
11	WS50-104303	保险丝 BX2011C-20A	fuse	2	
12	WL35-080007	转向器外壳	cluster gauge case	1	
13	WL35-133105	油量表 S2RY1201	fule meter	1	
14	WL25-040016	燃油传感器TBRC493	fule sensor	1	
15	WL35-080006	仪表板	cluster gauge upper case	1	
16	WS50-103203	滤芯指示灯 AD16-16E	hydraulic oil filter tell-tale	1	
17	WS50-104108	闪光继电器	relay	1	
18	WL35-132202	触发开关 K8852	electronc trigging	1	
19	WS50-071506	插装式电磁阀805390919	electromagnetic valve	1	
20	WL35-080008	控制把手 B3SRDDD-X	control handle	1	



hydraulic system

