



**"GL&D srl "**

Via Ceresone, 9 35035 Mestrino(PD) ITALY  
C.F. GBBLCU61A01F161 C/P.IVA 04724030285  
TEL/FAX 0499003475 e-mail:gledsrl@gmail.com



## **CIPPATORI BROYEURS WOOD-CHIPPERS**

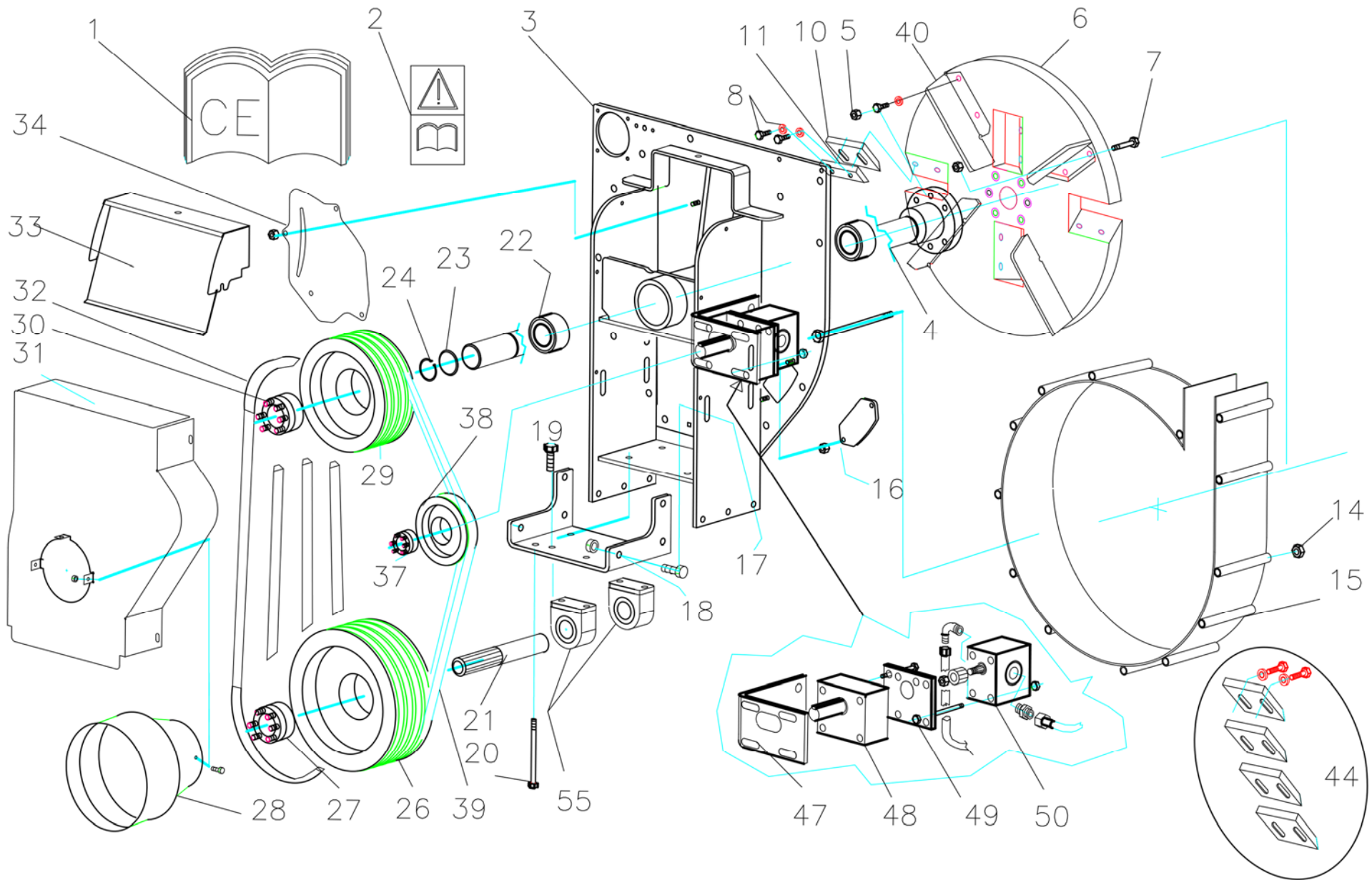
**Modelli-Modèles-Models: Galaxi/Galaxi motor**

**PARTI DI RICAMBIO  
CATALOGUEDE-PIECESDERECHARGE  
SPARE-PARTS ERZATZTEILE**

**REVISION 2024**

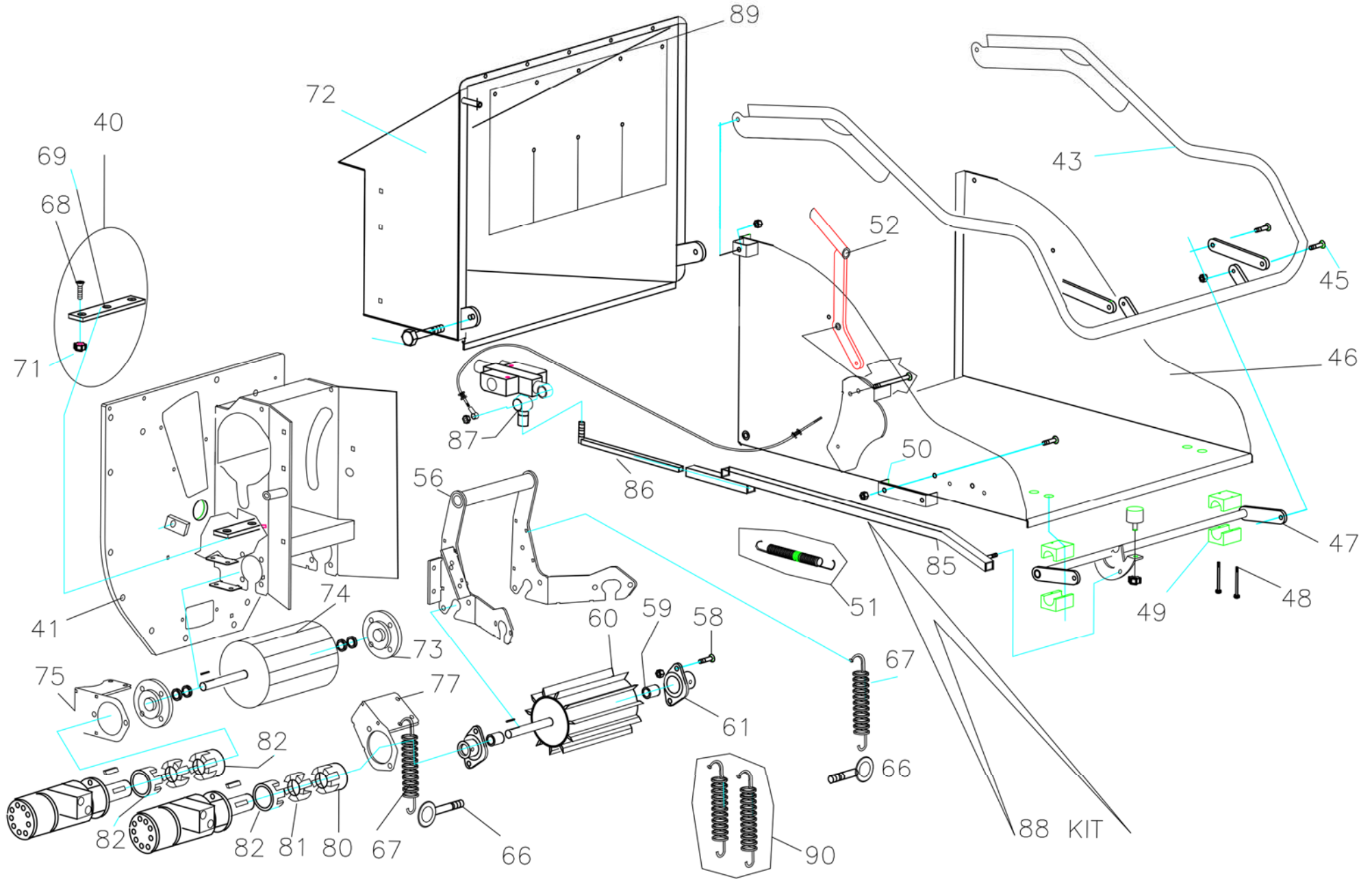


*Sede legale:* Via Ceresone, 9 35035 Mestrino( PD) Italy  
Tel/Fax 049 9003475 E-mail gledsrl@gmail.com  
Cod. fisc. e Partita IVA 04724030285



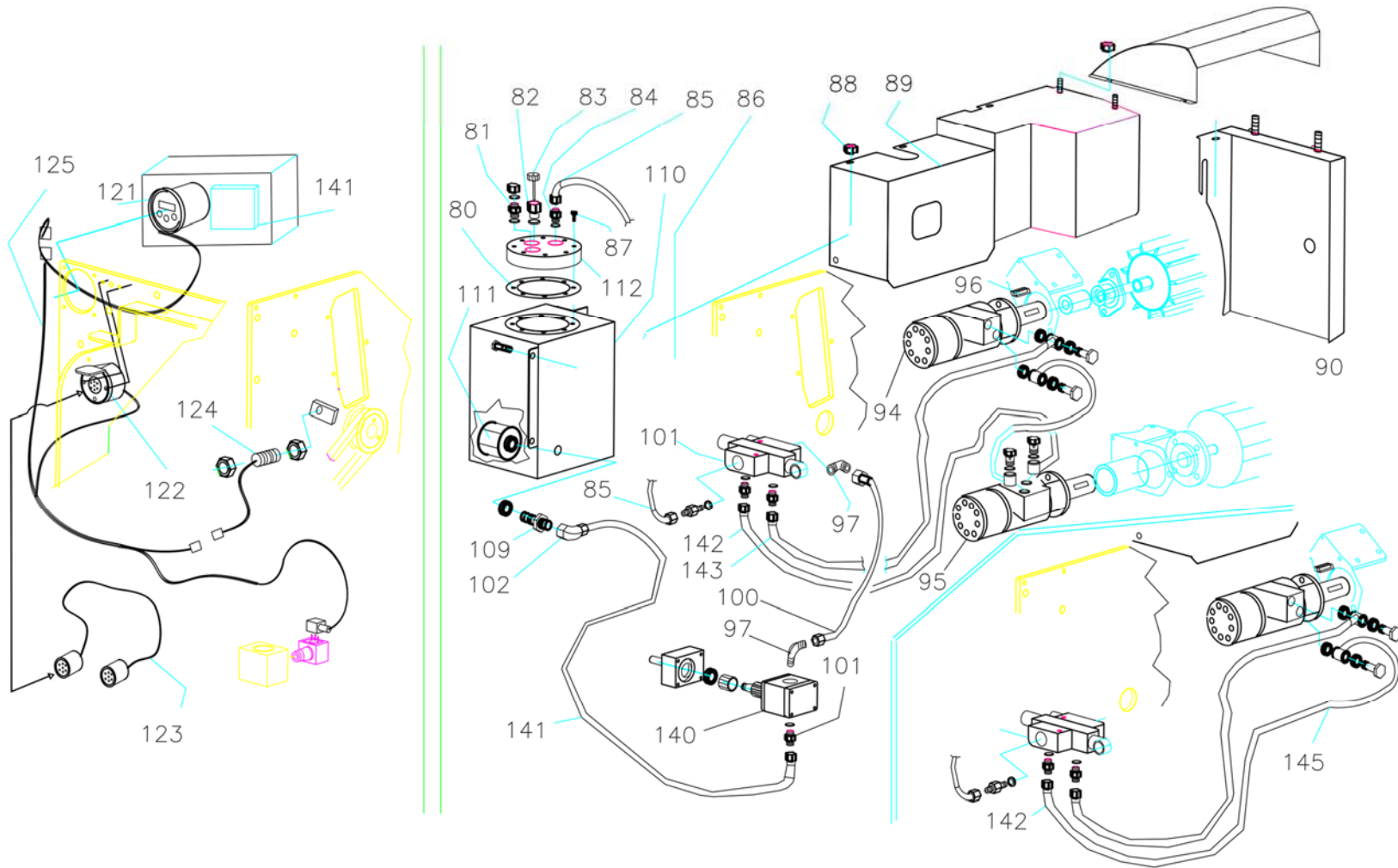


N°	CODICE - CODE	DESCRIPTION	Q.tà	N°	CODICE - CODE	DESCRIPTION	Q.tà
1	0011001	USE MAINTENANCE "CE"	1	38	00130037	PULLEY SPB 100/1	1
2	0011101	KIT ADHESIVE SAFETY	1	39	00130038	BELT XPB 1450	1
3	00130030	CHASSIS ANT	1	40	00130039	SHORT PALA	2
4	00130031	SHAFT 3 BEARINGS (FROM NOVEMBER 2016) BEFORE 00110005	1	41	00130040	LONG PALA (BEFORE MAY 2017)	2
5	M 12	SELF LOCKING NUT	6	47	00130014	SHOOTING BELT	1
6	00130032	DISK (FROM MAY 2017- SERIAL NUMBER 101705..)	1	48	00130015	SUPPORT	1
7	T.C.E.I M 12X45-10.9	SCREW	6	49	00130016	PLATE GALVANIZED	1
8	T.T.E.I M 12X35-10.9	SCREW	4	50	00130080	HYDRAULIC PUMP A 3,65 ROT SX	1
10	00270016	KNIFE (BEFORE MAY 2017, CODE 001115)	2	55	00130018	BEARING UCPA 208	2
11	27000006	LOCKING PLATE (BEFORE MAY 2017 CODE 00130034)	2		27110085	SUPPORT FOR ADJUST KNIVES	4
14	M14	SELF LOCKING NUT	13				
15	00110010	CONVEYOR	1				
16	00110011	SMALL PLATE	1				
17	TEM 14X40	SCREW	6				
18	00110012	SUPPORT PLATE	1				
19	M 12X30 10.9	SCREW	4				
20	M 10X 150	SCREW	4				
21	00110013	TOOTHED SHAFT	1				
22	00110014	BEARING	2				
23	00110015	KIT THICKNESS + SEEGER	2				
24	A - 50	SEEGER RING	1				
26	00130011	PULLEY SPB 300/4	1				
27	00110017	CELL BLOK 40X80	1				
28	00110018	HEADSET " CE"	1				
29	00110019	PULLEY SPB 130/4	1				
30	00110020	CELL BLOK 50X80	1				
31	00110021	CARTER	1				
32	00110022	BELT XPB 1280	3				
33	00130023	CARTER OF THE BELTS	1				
34	00110024	FRONTAL COVER	1				
37	00130036	CELL BLOK TB 18	1				

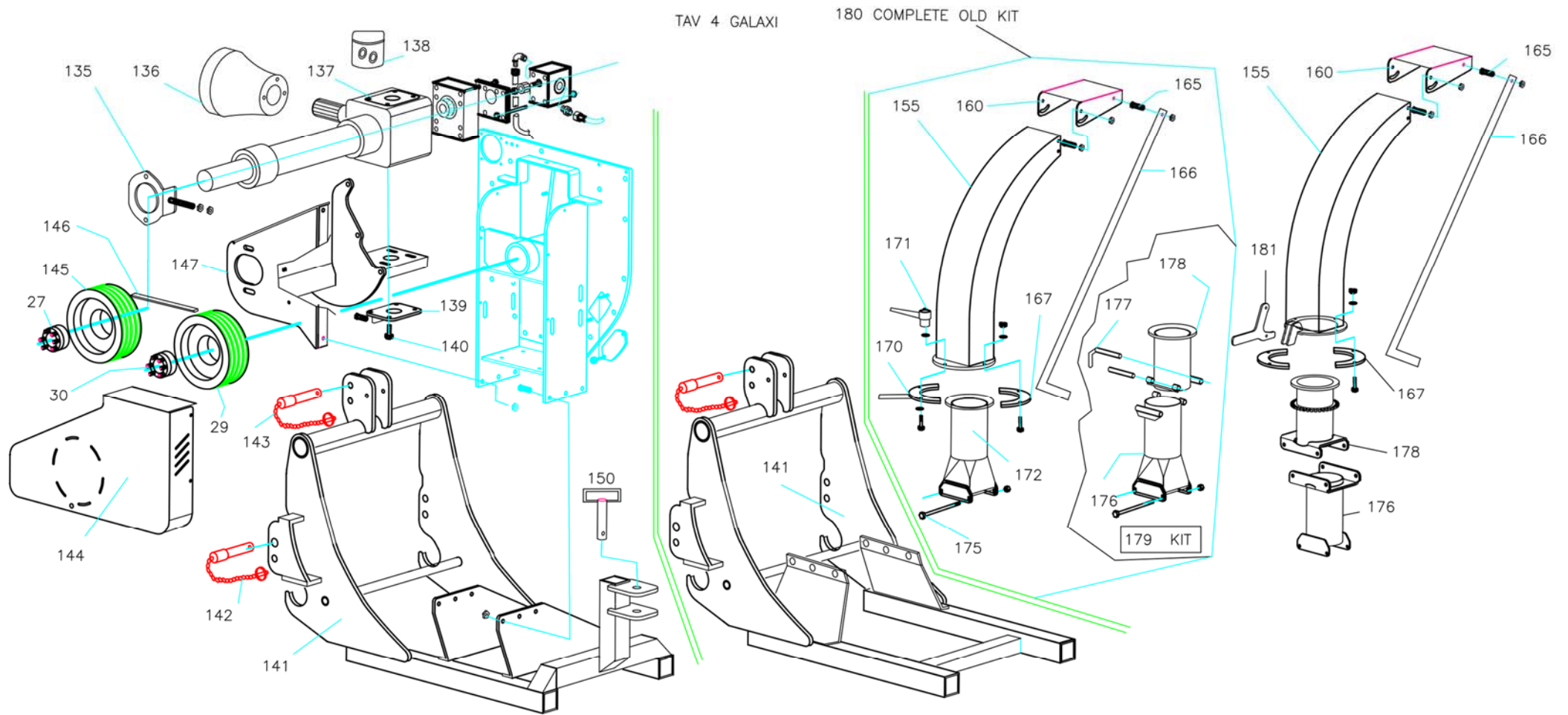


**Models: HERCULES e GALAXI - From January 2014- Serial number 101400...from...onwards**

N°	CODICE - CODE	DESCRIPTION	Q.tà	N°	CODICE - CODE	DESCRIPTION	Q.tà
40	00110030	KIT AGAINSTKNIFE + SCREW + SELFLOCKING NUT	1	80	00130057	JOINT WITH HOLE Ø 20	1
41	00110031	CHASSIS POST	1	81	00130058	FLEX	1
43	27000302	TUBE POWER CONTROL (BEFORE JANUARY 2018 CODE – 00130033)	1	82	00130059	JOINT WITH HOLE Ø 25	2
45	M 10X30	SCREW	4	84	00130060	SPRING (BEFORE JANUARY 2018)	3
46	27000303	HOPPER (BEFORE JANUARY 2018 CODE – 00130054)	1	85	27000316	SUPPORT ROD(BEFORE JANUARY 2018 CODE – 00130061)	1
47	27000304	ROCKER (BEFORE JANUARY 2018 CODE – 00130055)	1	86	27000317	ROD (BEFORE JANUARY 2018 CODE – 00130062)	1
48	TPEI M6X60	SCREW	4	87	00130063	THREAD EYELET M 8	1
49	00110037	SUPPORT-PALSTIC	2	88	27000318	KIT AUCTION CONTROL(BEFORE JANUARY 2018 CODE-00130064)	1
50	00110038	ANDLE	1	89	00130050	RUBBER PROTECTION	1
51	00110039	SPRING (FOR LEVER BEFORE 2018)	1	90	00130051	KIT SPRING HERCULES/GALAXI	2
52	27000305	LEVER (FROM JANUARY 2018)	1	91	27000350	KIT COMPLETE HOPPER	1
54	27000306	CABLE FLEX(FROM JANUARY 2018)	1		27110101	ROCKER SPRING	1
56	00130043	SUPPORT-ROLLER	1		27110102	EXHAUST PIPE SPRING	1
58	M12X35	SCREW	1				
59	00110044	SPACER	4				
60	00110045	ROLLER	2				
61	00110046	BEARING UCFL 204	1				
66	00110050	REGISTER M10	1				
67	00110051	SPRING	2				
68	TSPEI M 10X30	SCREW	2				
69	00110052	AGAINST KNIFE	3				
71	M 10- 10.9	SELF LOKING NUT	1				
72	00130044	CONE SUPPORT (FROM JANUARY 2018 NEW CONE)	3				
73	00130045	BEARING UCF 205	1				
74	00130046	MILLED ROLLER	2				
75	00110049	SUPPORT HIDRAULIC MOTOR	1				
77	00130049	SUPPORT HIDRAULIC MOTOR MOBILE (FROM JULY 2017 – 27000319)	1				



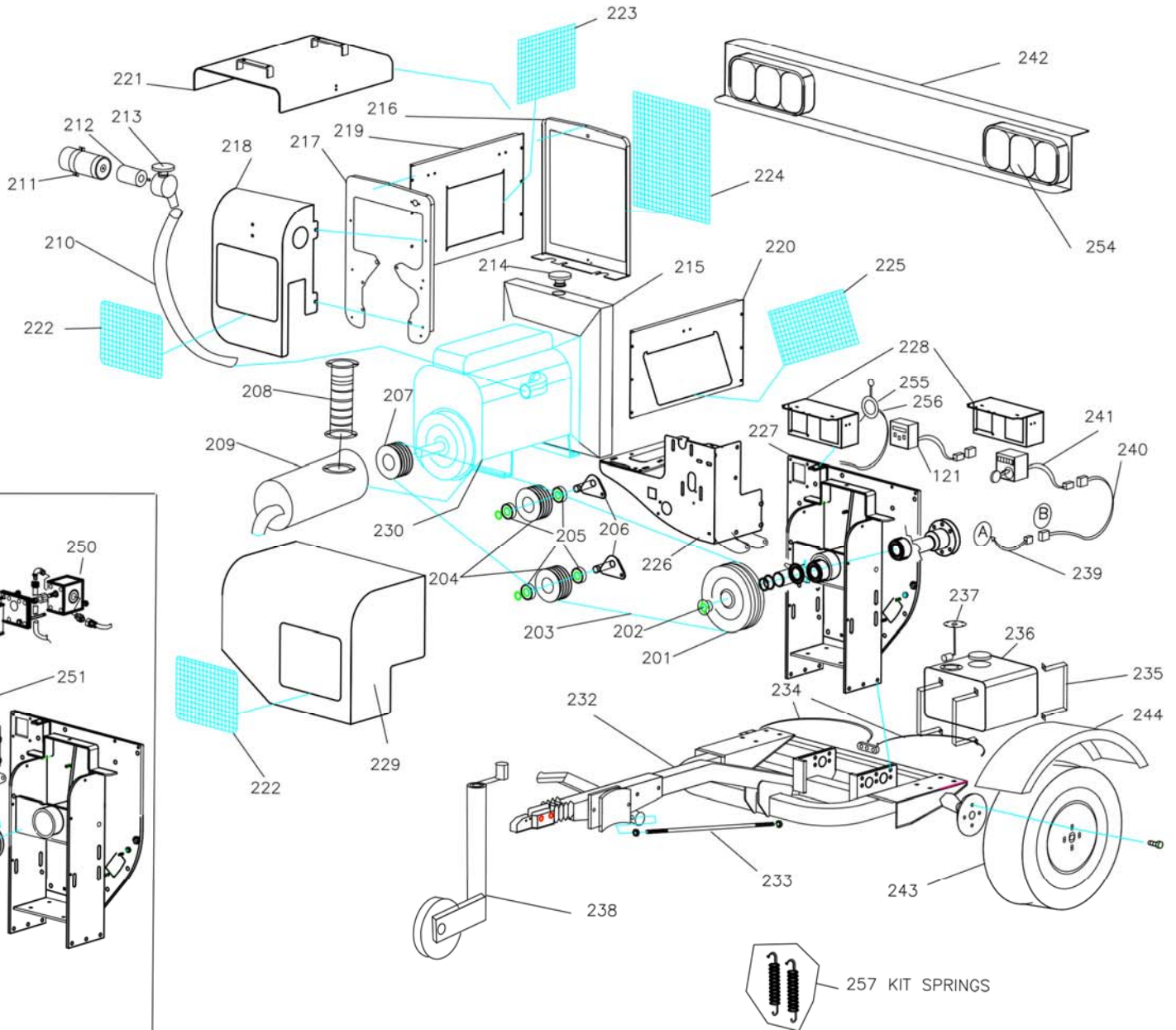
N°	CODICE - CODE	DESCRIPTION	Q.tà	N°	CODICE - CODE	DESCRIPTION	Q.tà
80	00110060	GASKET	1		00110107	GEAR + NUT	1
81	00110062	FITTING	1		00110109	VOLUMETRIC VALVE	1
82	00110063	FITTING	1		00110110	KNOB FOR VOLUMETRIC VALVE	1
83	00110064	OIL LEVEL PLUG	1		00110111	COMPLETE SOLENOID VALVE FOR DISTRIBUTOR BLB	1
84	00110065	FITTING	1		00110112	NUT FOR SOLENOID VALVE	1
85	00130077	HYDRAULIC HOSE "OIL DRAIN"	1		00110113	SOLENOID COIL BLB	1
87	M 8X25	SCREW	8		00110114	FUSE HOLDER	1
88	M 8	SELF LOKING NUT	4		00110115	SOLENOID VALVE CONNECTION	1
89	00110068	CARTER	1		27110110	CONNECTING BOX	1
90	00110069	CARTER	1		31000036	FUSE 7,5	1
91	00110070	FITTING 1/2	2	133	00130076	CARTER TOP	1
92	00110071	GASKET 1/2	4	140	00130080	HYDRAULIC PUMP A 3,65 ROT SX	1
93	00130078	HYDRAULIC HOSE ENGINE-ENGINE	1	141	00130081	HYDRAULIC HOSE (SUNCTION)	1
94	27000460	HYDRAULIC MOTOR MR 125	1	142	00130082	HYDRAULIC HOSE (OIL LOWER ENGINE- GALAXI)	1
95	27000460	HYDRAULIC MOTOR FOR ROLLER, MOTOR VERSION	1	143	00130083	HYDRAULIC HOSE (OIL UPPER ENGINE - GALAXI)	1
95	27000461	HYDRAULIC MOTOR FOR MILLED ROLLER, MOTOR VERSION	1	145	00130084	HYDRAULIC HOSE (HERCULES- SAME 00130082)	1
96	00110075	LING BLOCK	1		27000457	ELETTRONIC VALVE	1
97	00110076	FITTING 90°	1				
98	00110077	HYDRAULIC DISTRIBUTOR BLB	1				
100	00130079	HYDRAULIC HOSE "OIL PRESSURE"	1				
101	00110080	FITTING	2				
109	00110088	FITTING	1				
110	00110089	OIL TANK	1				
111	00110090	FILTER	1				
112	00110091	OIL TANK CAP	1				
121	00110100	ELECTRONIC CONTROL PANEL	1				
122	00110101	POWER CABLE CONNECTING	1				
123	00110102	CABLE POWER TRACTOR-CHIPPER	1				
124	00110103	SPEED DETECTOR	1				
125	00110104	ELECTRIC WIRING	1				



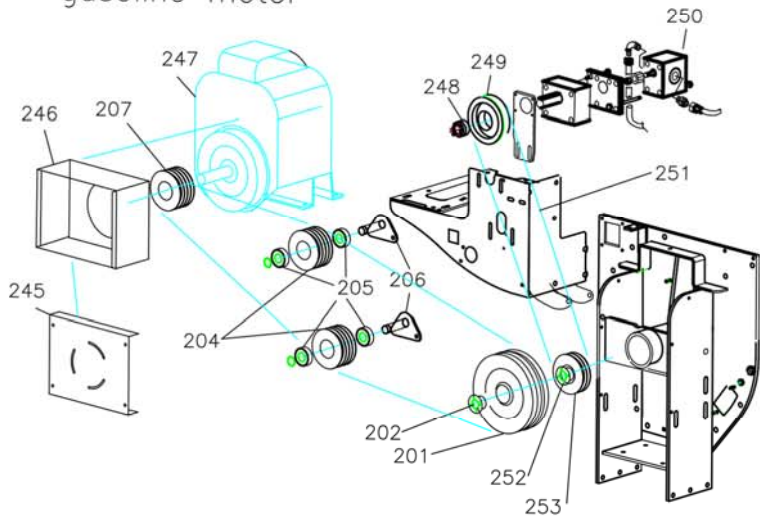


N°	CODICE - CODE	DESCRIPTION	Q.tà	N°	CODICE - CODE	DESCRIPTION	Q.tà
135	00110150	PLATE	1	155	00130122	EXPULSION PIPE	1
136	00110151	HEADSET"CE"	1	176	00130120	BASE FOLDING	1
137	00110152	GEARBOX	1	178	0013021	EXPULSION PIPE	1
138	00110153	KIT GASKETS AND OIL SEAL	1				
139	00110154	PLATE	1				
140	M 12X30	SCREW	4				
141	27000200	THREE-POINT MODEL "M"	1				
142	00110156	PIN 1° E 2° POINT COMPLETE	2				
143	00110157	PIN 3° POINT COMPLETE	1				
144	00110158	CARTER OF THE BELT	1				
145	00110159	PULLEY SPB 140/4	2				
146	00110160	TRASMISSION BELTS XPB 1500	4				
147	00110161	CHASSIS MOUNT GEARBOX	1				
148	00110162	SCREW	2				
150	00110163	PIN	1				
151	27000202	THREE-POINT MODEL "C "	1				
155	00110165	DRAIN PIPE - (BEFORE 2014 - 00110164)	1				
160	00110167	OUTPUT REGULATOR – (BEFORE 2014 - 00110166)	2				
165	TE M8X30	SCREW	5				
166	00110170	ADJUSTING ROD	1				
167	00110171	ALF RING (FROM 2016 TWO ALF RING)	1				
170	00110174	ALF RING CONTROLLED – (BEFORE 2014)	1				
171	00110175	REGISTER LOCKING	1				
172	00110176	BASETUBE COUPLING (BEFORE 2014)	1				
175	TEM 8X 150	SCREW	2				
176	00110180	BASETUBE COUPLING (OPTIONAL BEFORE 2014)	1				
177	00110181	PLUG	1				
178	00110182	TUBE COUPLING FOLDING( OPTIONAL BEFORE 2014)	1				
179	00110185	KIT MAXI TUBE FOLDING (OPTIONAL )	1				
27	00130001	CELL BLOK 40x80	1				
30	00130002	CELL BLOK 50x80	1				
180	00110186	KIT EXAUST PIPE COMPLETE	1				
181	00130123	HANDLING	1				

TAV 5 galaxi motor

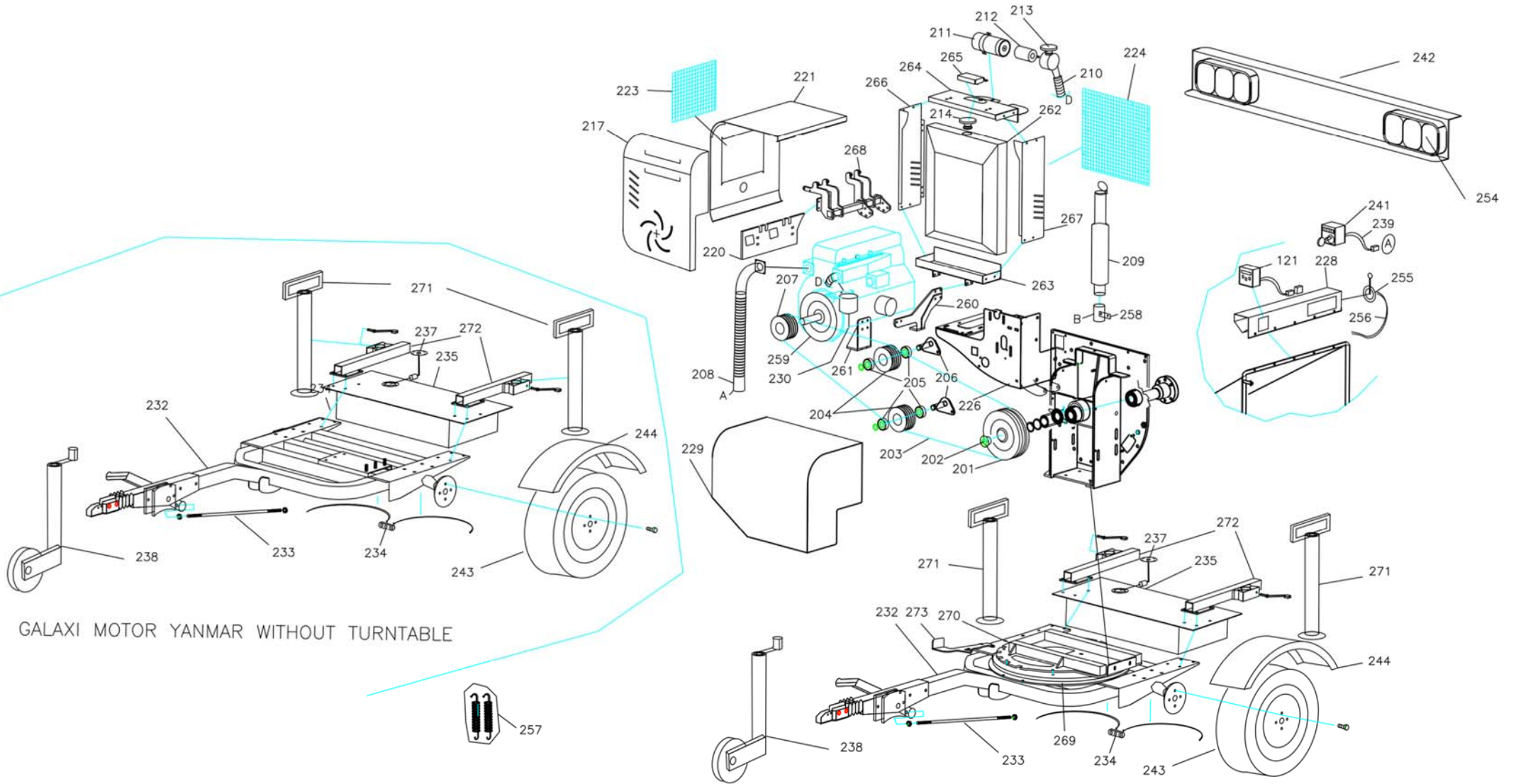


gasoline motor



N°	CODICE - CODE	DESCRIPTION	Q.tà	N°	CODICE - CODE	DESCRIPTION	Q.tà
201	27000222	PULLEY 355/3	1	233	27000248	BRAKE ROD	1
202	00130804	CELL BLOK 50X65	1	234	27000249	BRAKE WIRE	1
203	27000216	BELT XPA 2180	3	235	27000250	DIESEL/GASOLINE TANK SUPPORT	4
204	00130806	PULLEY XPA 125/3	2	236	27000251	DIESEL/GASOLINE TANK	1
205	00130807	BEARINGS 6305	4	237	16201013	TANK SENSOR/COBO	1
206	27000219	SUPPORT PULLEY	2	238	27000253	PARKING WHEEL	1
207	00130802	CLUTCH	1	239	27000254	ENGINE WIRING	1
208	27000221	FLEXIBLE SILENCE	1	240	27000255	EXTENSION ENGINE WIRING	1
209	00130814	MUFFLER	1	241	27000256	ENGINE CONTROL UNIT	1
210	27000223	AIR SUCTION HOSE ENGINE	1	121	00110100	ELECTRONIC CONTROL PANEL	1
211	00130815	SUPPORT AIR FILTER	1	242	27000257	LIGHTS BAR	1
212	00130816	AIR FILTER	1	243	27000258	WHEEL	2
213	00130817	MUSCROOM	1	244	16201014	MUDGUARD	2
214	00130818	RADIATOR CAP	1	245	27000260	CARTER	1
215	00130819	COMPLETE RADIATOR	1	246	27000261	CARTER	1
216	27000229	RADIATOR MASK	1	247	00130832	GASOLINE MOTOR KOHLER 40 CV	1
217	27000230	FRONT CARTER	1	248	27000263	CELL BLOCK CH9 1610-18	1
218	27000231	CARTER	1	249	27000264	PULLEY SPA 100/1	1
219	27000232	CARTER	1	250	27000265	IDRAULIC PUMP	1
220	27000233	CARTER	1	251	27000266	BELT XPA A 38	1
221	27000234	HOOD	1	253	27000267	CELL BLOCK CH9 2012-50	1
222	27000235	FRONTAL PROTECTION GRID	2	253	27000268	PULLEY SPA 150/2	1
223	27000236	LATERAL PROTECTION GRID	1	254	00130838	KIT GLASS REAR LIGHT RIGHT+LEFT (OLD)	1
224	27000237	RADIATOR PROTECTION GRID	1	254	00130837	KIT GLASS REAR LIGHT RIGHT+LEFT (NEW)	1
225	27000238	LATERAL PROTECTION GRID	1	255	00130836	ACCELERATOR CABLE FOR FUSION/GALAXI MOTOR	1
226	27000239	SUPPORT ENGINE DIESEL/GASOLINE MOTOR	1	256	27000269	ACCELERATOR	1
226	27000240	SUPPORT ENGINE GASOLINE MOTOR	1	257	00130052	KIT SPRINGS GALAXI MOTOR	2
227	27000241	SUPPORT ELETTRONIC CONTROL PANEL	1		00130800	KIT REVISION CLUTCH	1
228	27000242	DASHBOARD	1		00130840	KIT LEVER TROTTLE+ CABLE	1
229	27000243	FRONT BELT CARTER	1		00130850	IGNITION KEY	1
230	00130830	DIESEL MOTOR LOMBARDINI 4 C 38 CV	1		00130820	KIT AIR FILTER LIMBARDINI 38CV	1
232	27000247	CARRIAGE	1		00130821	OIL FILTER LOMBARDINI 38CV	1



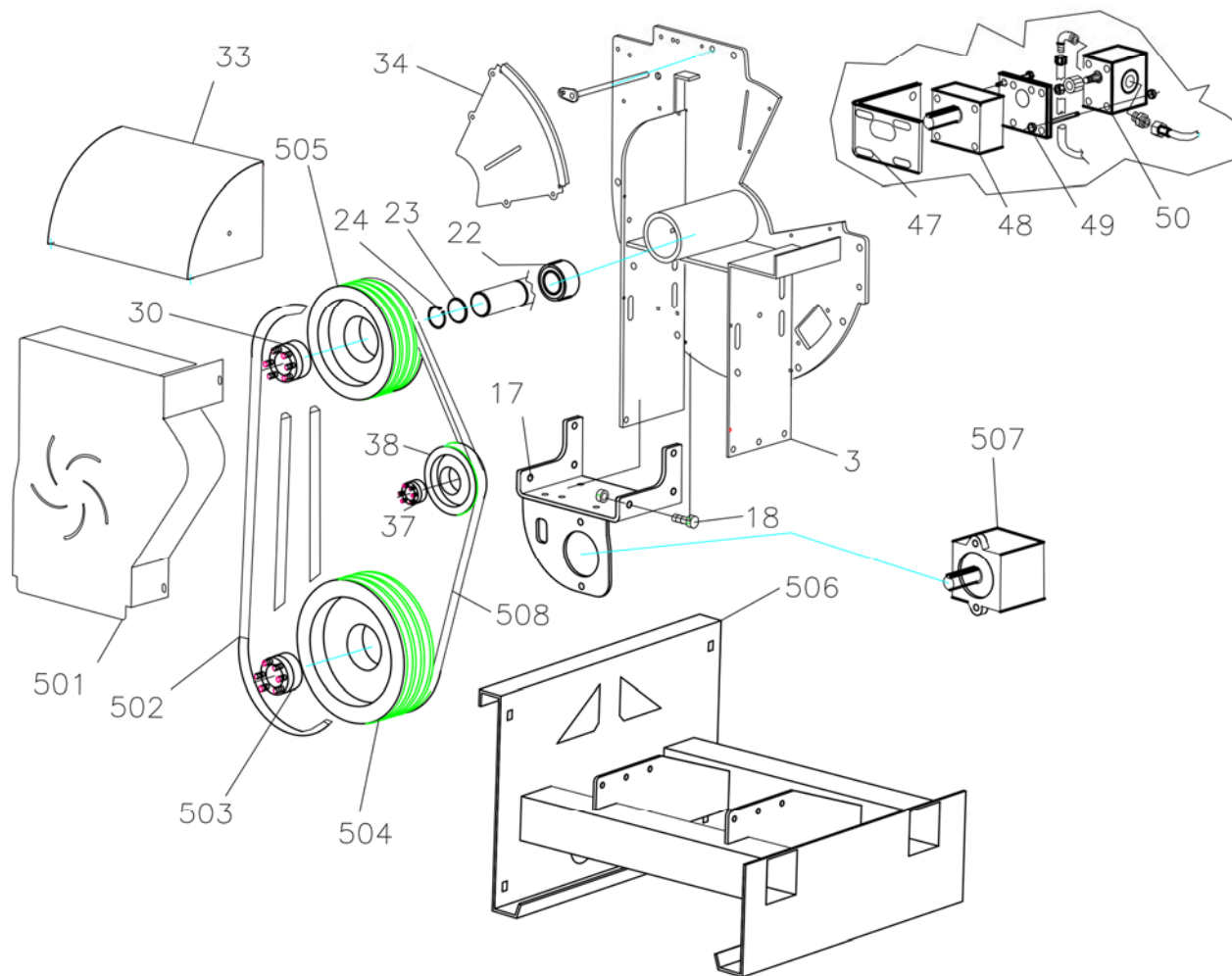




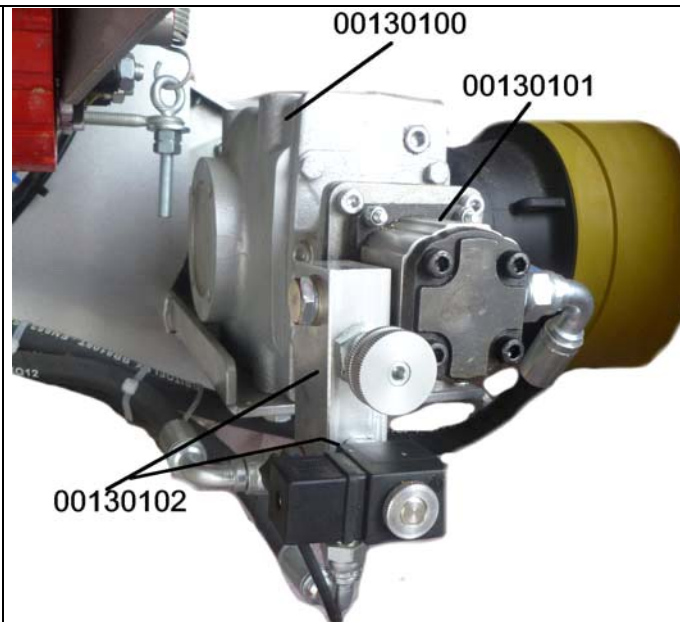
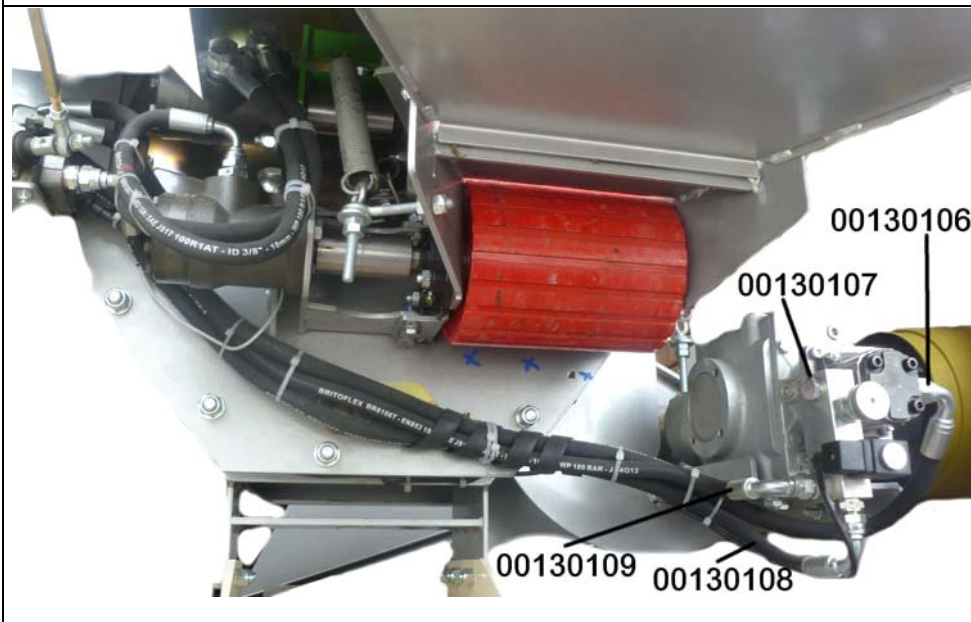
N°	CODICE - CODE	DESCRIPTION	Q.tà	N°	CODICE - CODE	DESCRIPTION	Q.tà
201	27000222	PULLEY 355/3	1	241	27110047	ENGINE CONTROL UNIT	1
202	00130804	CELL BLOK 50X65	1	121	00110100	ELECTRONIC CONTROL PANEL	1
203	27000216	BELT XPA 2180	3	242	27000257	LIGHTS BAR	1
204	00130806	PULLEY XPA 125/3	2	243	27000258	WHEEL	2
205	00130807	BEARINGS	4	244	16201014	MUDGUARD	2
206	27000219	SUPPORT PULLEY	2	247	27000262	GASOLINE VANGUARD 35 CV (BEFORE GASOLINE MOTOR KOHLER 40 CV)	1
207	00130802	CLUTCH	1	254	00130838	KIT GLASS REAR LIGHT RIGHT+LEFT (OLD)	1
208	27110001	FLEXIBLE SILENCE FOR YANMAR	1	254	00130837	KIT GLASS REAR LIGHT RIGHT+LEFT (NEW)	1
209	27110002	MUFFLER FOR YANMAR ENGINE	1	255	00130836	ACCELERATOR CABLE FOR FUSION/GALAXI MOTOR	1
210	27110003	AIR SUCTION HOSE ENGINE	1	256	27000269	ACCELERATOR	1
211	27110069	SUPPORTAIR FILTER	1	275	27110050	KIT DIESEL FILTER	1
212	27110068	AIR FILTER	1	263	27110022	LOWER RADIATOR SUPPORT	1
213	00130817	MUSCROOM	1	264	27110023	SUPERIOR RADIATOR SUPPORT	1
214	00130818	RADIATOR CAP	1	265	27110024	PLUG COVER	1
262	27110021	COMPLETE RADIATOR	1	266	27110025	LATERAL CARTER	1
217	27110004	FRONTAL CARTER	1	267	27110026	LATERAL CARTER	1
220	27110005	INTERNAL CARTER OF THE ENGINE	1	268	27110027	SUPPORT HOOD	1
221	27110006	HOOD	1	269	27110028	TURNTABLE	1
223	27110007	LATERAL PROTECTION GRID (BEFORE 27000236)	1	270	27110029	SUPPORT MACHINE	1
224	27110008	RADIATOR PROTECTION GRID (BEFORE 27000237)	1	271	27110030	STABILISERS FEET	2
226	27110067	SUPPORT ENGINE DIESEL/GASOLINE MOTOR	1	272	27110031	LIGHT BAR SUPPORT	2
228	27110010	DASHBOARD (BEFORE 27000242)	1	273	27110032	KIT FOR BLOCK TURNTABLE	1
230	27110066	DIESEL MOTOR YANMAR	1		27110033	DISPLAY RPM YANMAR	1
	00130800	KIT REVISION CLUTCH	1	232	27110034	CARRIAGE WITH TOURNTABLE (OMC)	1
258	27110017	SUPPORT MUFFLER	1	232	27110035	CARRIAGE WITHOUT TORUNTABLE (OMC)	1
259	27110018	TRASMISSION SHAFT	1	242	27110036	LIGHT BAR WITHOIT LIGHT	1
232	27110012	CARRIAGE WITH TOURNTABLE AL-KO	1	274	27110044	KIT REPLACE OIL FILTER YANMAR	1
232	27110013	CARRIAGE WITHOUT TURNTABLE AL-KO	1	260	27110019	MOTOR/RADIATOR SUPPORT	2
233	27000248	BRAKE ROD	1		27110039	BRAKE FOR AXLE 1000 KG	1
234	27000249	BRAKE WIRE	1		27110037	WIRING FOR DIESEL PUMP	1
236	27110014	DIESEL/GASOLINE TANK	1		27110038	IGNITION KEY FOR YANMAR	1
237	27110015	TANK SENSOR	1		27110040	BATTERY	1
238	27000253	PARKING WHEEL	1		27110041	WIRING ELECTRIC VALVE	1
239	27110016	ENGINE WIRING	1		27110042	OIL TEMPERATURE SENSOR	1



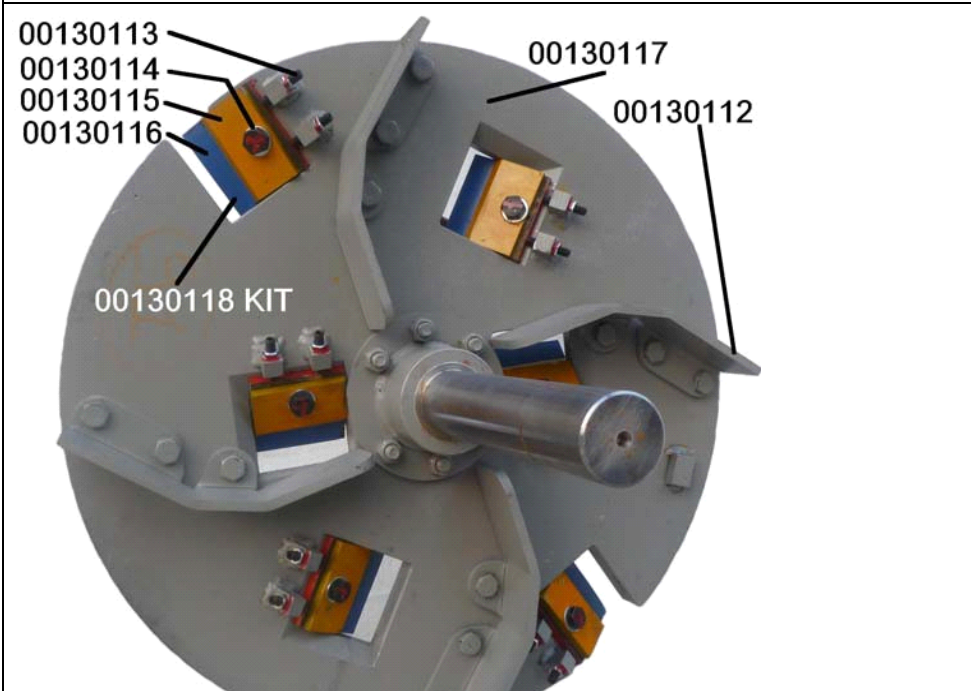
TAV 7 FUSION/GALAXI IDRAULICA







CODE	DESCRIPTION	Qtà
00130100	GEAR BOX	1
00130101	IDRAULIK PUMP	1
00130102	COMPLETE VALVE	1
00130106	SUCTION HOSE 1/2	1
00130107	SCREW HOLES	1
00130108	EXJAUST PIPE OIL	1
00130109	OIL DELIVERY PIPE	1



**NEW DISC PATENT  
FOR MODEL GALAXI .....DTE**

00130112	SHOE	4
00130113	ADJUST SCREW	12
00130114	SCREW LOCK KNIFE	6
00130115	LOCKING PLATE	6
00130116	KNIFE	6
00130117	NEW DISC	1
00130118	KNIFE KIT	1