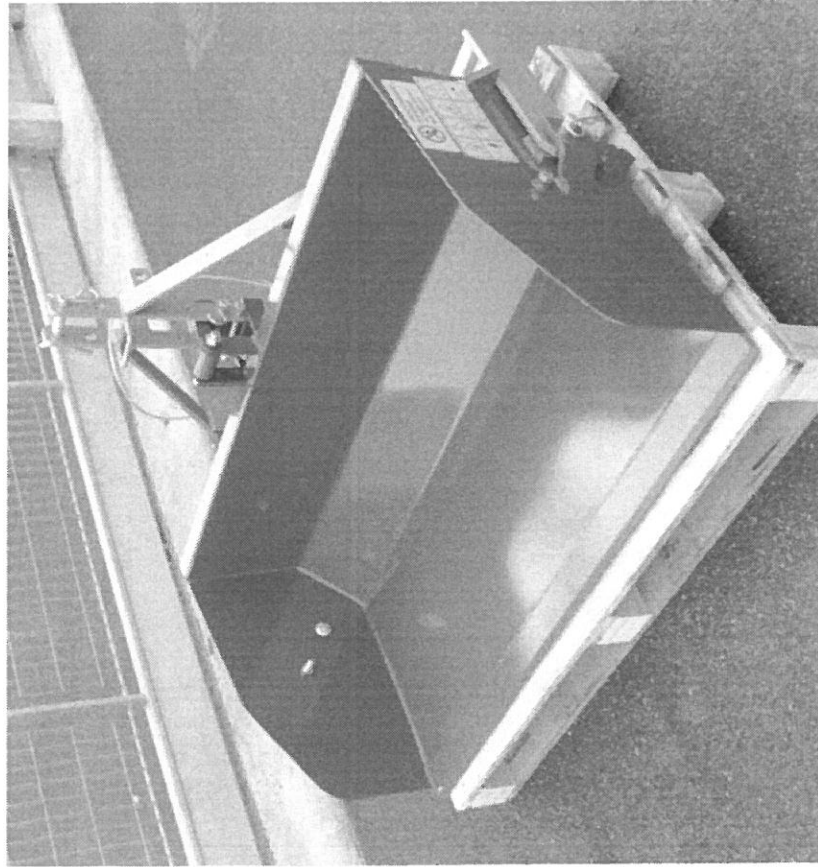


# USER MANUAL



THE PURPOSE OF THIS MANUAL IS TO TRAIN THE USER TO A CORRECT USE OF THE AGRICULTURAL IMPLEMENT IN COMPLIANCE OF SAFETY RULES IN ORDER TO PREVENT INJURY AND TO SAFEGUARD THE HEALTH.

## NORMATIVE REFERENCE

This manual has been written in compliance of the following law:  
Directive 89/392/C and amended UNI EN 292/2 – 1992, DPRN. 547 27/04/55 – work's safety rules.

## HOW TO READ AND USE THIS MANUAL

This manual is a part of the machine and of the initial provision.

That means it must be kept for all machine's life, also in case of selling of that one to others.

Further copies of this manual, must be requested throw buying order to the manufacturer or its dealer. It is not allowed to use the machine without a previous careful reading of this manual, only trained operators may use it.

The employer is responsible for the disclosure of this document to all the employees who will work with the machine.

The operator, after following what is written in this manual, must follow the general safety rules as in law prescriptions of destination's country.

It is strictly prohibited to make whatever kind of modifications to the machine or to this technical document.

## GENERAL INFORMATIONS

### IDENTIFICATION DATA OF THE AGRICULTURAL IMPLEMENT

The manufacturer's identification is made in conformity of the legislation throw the following points:

- DECLARATION OF CONFORMITY
- CE MARK
- USER MANUAL

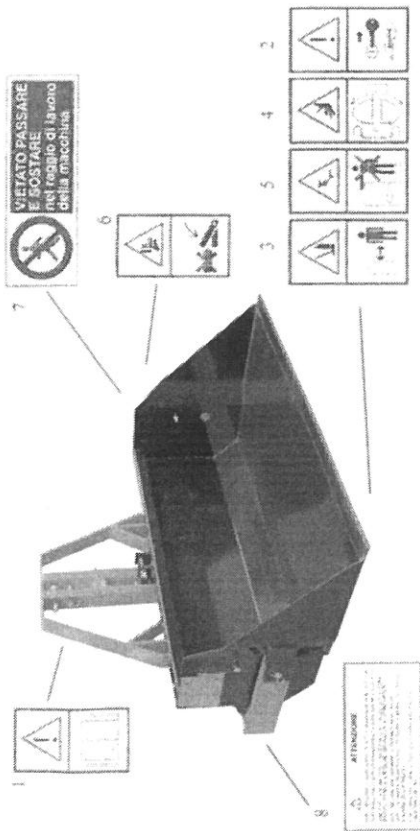
### DANGER WARNINGS

The agricultural implement is equipped with pictograms which recalls risks. On Picture 2 is indicated the points where the labels are located.

#### DELEKS Srl

Via Mandolossa, 136/b - 25064 - Gussago (BS) - ITALY  
Phone: +39-030-7050848 - E-mail: info@deleks.com

[www.deleks.com](http://www.deleks.com)

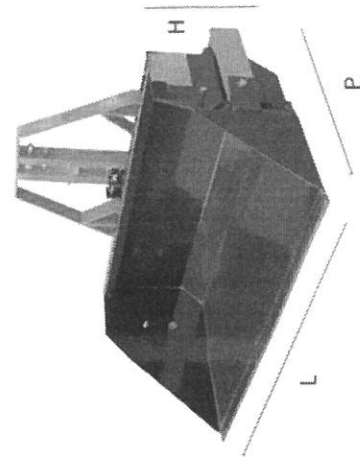


1. Read the manual before use
2. Turn off the tractor before to make maintenance on the machine
3. Keep safety distance from the tool, feet shearing risk
4. Keep safety distance from the working machine, 15 meters
5. Never step over the machine
6. Danger don't put the hands
7. Prohibition sign
8. Warning's label fitting to tractor.

FIG. 3

On picture 3 are indicated the machine's sizes

MOD.	L	P	H
100	100	70	32
120	120	72	38
140	140	87	45
160	160	100	48
180	180	102	52
200	200	102	52



## GENERAL INFORMATION AFTER DELIVERY INSPECTION

The delivered items should be which are ordered  
Missing or damaged parts due to transport should be communicated to the manufacturer

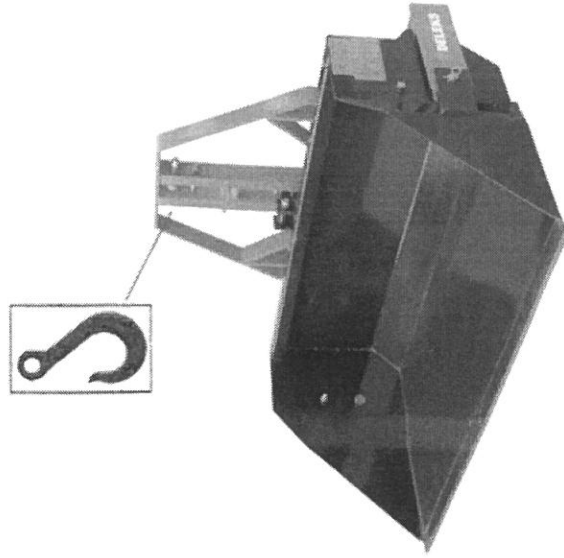
## CAUTION

All the data and sizes are not bounded, the manufacturer reserves the right to modified them without former communication.  
Any modifications will be communicated by further technical forms.

## TRANSPORT OF THE MACHINE

To transport the items, it is necessary to follow the packing requirements.  
As in picture 4

FIG. 4

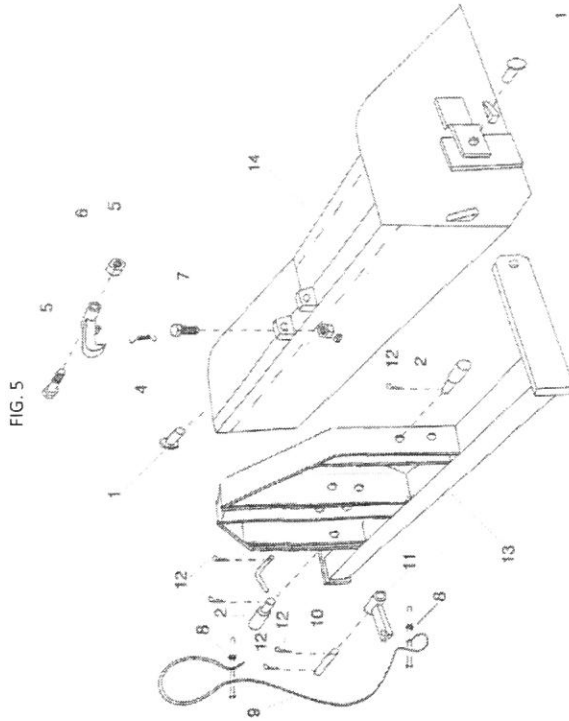


## IMPORTANT

To lift the items it is necessary to use ropes appropriates to the weight of the item.  
 Check that ropes are not warned.  
 Lift the load gently and in case of sharp edges, protect the rope with packing material.

## DESCRIPTION OF THE MACHINE

### Hydraulic and mechanic transport box

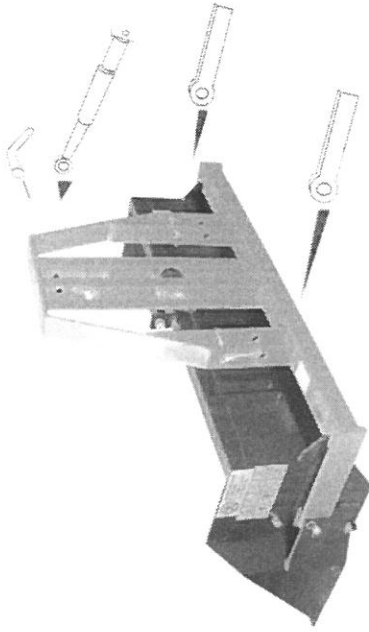


- |    |                         |     |                                     |
|----|-------------------------|-----|-------------------------------------|
| 1. | OVERTURN PIN            | 9.  | CABLE                               |
| 2. | LINKAGE PIN             | 10. | HOOK'S PIN                          |
| 3. | SAFETY PIN FOR ROAD USE | 11. | RELEASE LEVER                       |
| 4. | HOOK'S SPRING           | 12. | PIN'S PLOUGH                        |
| 5. | HOOK'S BOLT             | 13. | 3 POINT LINKAGE FRAME               |
| 6. | HOOK                    | 14. | BUCKET                              |
| 7. | HOOK'S REGISTER BOLT    | 15. | (FOR HYDRAULIC MODEL) HYDRAULIC KIT |
| 8. | CABLE CLAMP             |     |                                     |

## MOUNTING TO THE TRACTOR

The machine must be on flat terrain, the machine's feet must safely support it, so that the operator could easily fit the third point linkage.

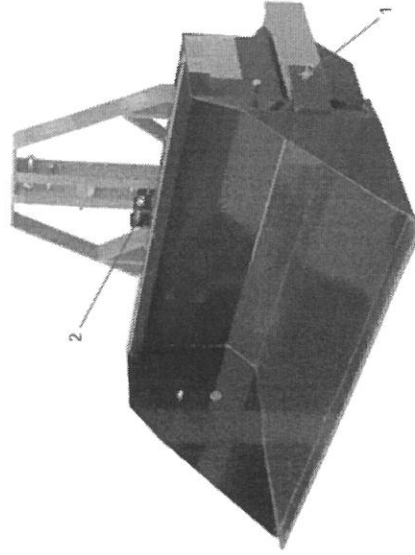
FIG. 6



## MAINTENANCE

- A Check each 2 working hours the overturning pin N° 1
- B Before start working with the machine, check the hook N° 2. In case that hook is worn, replace it with a new one.
- C For the hydraulic model, check the hydraulic system before to start work.
- D Check the linkage pins.

FIG. 7



## SPARE PARTS ORDERS

To help a prompt and correct supply of spare parts, the order should indicate:  
 MODEL OF IMPLEMENT  
 QUANTITY FOR EACH PART  
 PART'S CODE AS IN TABLE  
 DESCRIPTION OF THE PART  
 DELIVERY DATE OF THE IMPLEMENTS